

AUSA D100 AHA



MARSH PLANT®

NEW LANE, HAVANT, HAMPSHIRE, PO9 2LZ

Telephone 023 9248 2323

www.marshplant.com

Millbrook Road, Southampton
Hampshire, SO15 0LB
Telephone 023 8052 2600
southampton@marshplant.com

Drakes Drive, longCrendon
Aylesbury, HP18 9BA
Telephone 01844 204000
longcrendon@marshplant.com

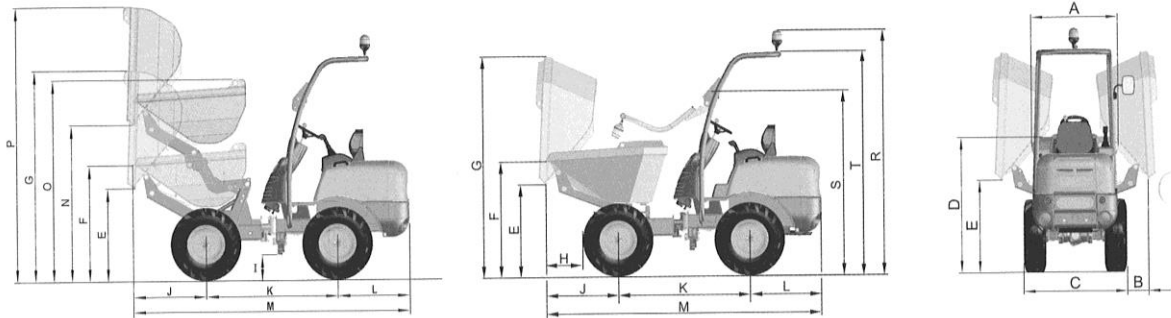
Cabot Lane, Creekmoor, Poole
Dorset BH17 7BX
Telephone 01202 642820
poole@marshplant.com

7b Watercombe Park
Gazelle Road, Yeovil
Somerset, BA20 2HL
Telephone 01935 415970
yeovil@marshplant.com

Wallingford Road, Uxbridge
Middlesex UB8 2SS
Telephone 01844 204000
longcrendon@marshplant.com

DIMENSIONS (mm)		D 85 AHA	D 100 AHA	D 120 AHA	D 85 AHG	D 120 AHG	D 150 AHG
A		990	990	1190	990	1190	1391
B		-	-	-	350	245	100
C		1015	1215 (1125 *)	1200	1015	1200	1450
D		1435	1440	1485	1420	1470	1500
E		930	935	980	970	1020	1030
F		1225	1230	1275	1225	1275	1275
G		2230	2235	2280	2380	2430	2525
H		495	485	440	490	435	435
I		215	220	265	215	265	275
J		822	822	822	804	804	820
K		1500	1500	1500	1500	1500	1600
L		820	820	820	820	820	820
M		3142	3142	3142	3124	3124	3240
N		1630	1635	1680	-	-	-
O		2130	2135	2180	-	-	-
P		2930	2935	2980	-	-	-
R		2600	2605	2650	2600	2650	2600
S		1950	1955	2000	1950	2000	2015
T		2370	2375	2420	2370	2420	2450

* with optional tyres



TECHNICAL SPECIFICATIONS

		D 85 AHA / D 100 AHA / D 120 AHA	D 85 AHG / D 120 AHG	D 150 AHG
Load capacity (Kg)		850 / 1000 / 1200	850 / 1200	1500
Unloading system		Hydraulic tipping.	Hydraulic, 180° rotating.	Hydraulic, 180° rotating.
Chassis		Articulated +/- 35° and oscillating +/- 13°.		
Hopper capacities (l)	Water	345 / 345 / 425	325 / 415	520
	Levelled	395 / 395 / 515	390 / 495	626
	Heaped	505 / 505 / 680	510 / 670	835
Engine	Diesel	Kubota D1105	Kubota D1105	Kubota D1105
	Power acc./DIN 70020 (KW/HP)	18,9 / 25,3	18,9 / 25,3	18,9 / 25,3
	N° of Cylinders	3	3	3
	Cooling system	Water	Water	Water
Traction		4 x 4 permanent		
Transmission		Hydrostatic with variable flow pump and automatic regulation. Forward and reverse control on the joystick.		
Engine starting system		Electric		
Speed (max.) (Kmh)		14 / 15 / 17	14 / 17	17
Axles		Axles with planetary wheel reduction		
Unladen weight (Kg)		1300 / 1300 / 1375	1300 / 1375	1510
Gradient negotiable (with full load)		43% / 38% / 48%	43% / 48%	40%
Hydraulic circuit		Gear pump of 8 cc. Working pressure 170 bar.	Gear pump of 8 cc. Working pressure 170 bar.	Gear pump of 8 cc. Working pressure 210 bar.
Tyres	Standard	7.00-12" / 11.0/65-12 / 10.0/75-15.3"	7.00-12" / 10.0/75-15.3"	10.0/75-15.3"
	Optional (D100AHA-AHG)	- / 27x8.50-15" / -	- / 27x8.50-15" / -	-
External turning circle (mm)		3060	3060	3260
Steering		Hydraulic		
Tank capacity (l)	Fuel	23	23	23
	Hydraulic fluid	21.2	21.2	21.2
Service and parking brake		Sealed oil-immersed, multidisc, mechanically operated		

STANDARD EQUIPMENT

Anti vandal system
Ergonomic seat
Seat belt
Joystick
ROPS
Rotating beacon
Rear view mirror

OPTIONAL EQUIPMENT

FOPS overhead guard
Lighting equipment
Audible reverse warning (Std. UK)