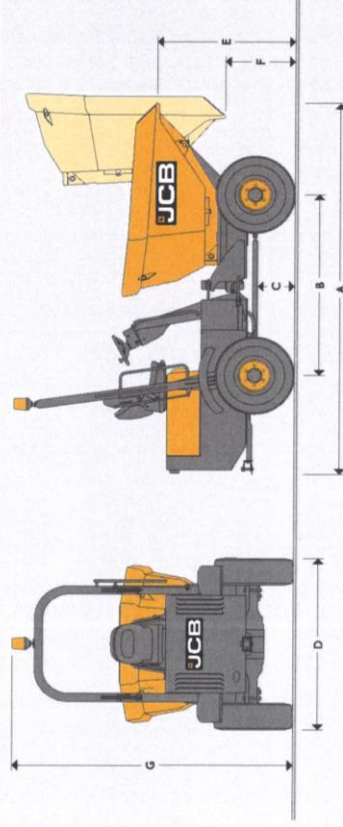


# JCB 1THT/3TFT

## SPECIFICATION

SITE DUMPERS | 1THT/2TFT/3TFT/4TFT/5TST/6TFT/7TFT/8TFT/9TFT/10TFT

## STATIC DIMENSIONS AND CAPACITIES



	1THT	2TFT	2TST	2THS	3TFT	3TST	3.5TST	6TFT	6TST	9TFT	10TFT
A Overall length	mm	2980	3570	3550	3725	3952	3952	4405	4539	4489	4530
B Wheel base	mm	1440	1900	1900	1939	1939	1939	2450	2450	2450	2450
C Minimum ground clearance	mm	241	184	184	279	279	385				410
D Width	mm	998* / 1120	1492	1492	1957	1846	1846	2300	2207	2502	2550
E Height to front tip of skip (untipped)	mm	1167	1323	1360	1371	1467	1467	1732	1732	1709	1760
F Height to front tip of skip (tipped)	mm	1620 (raised)	916	983	1142 (lowered) / 1640 (raised)	208	762	504	1258	560	440
Turning radius to outside of skip	mm	2295	3680	3680	4711	4553	4553	5863	5726	5994	6011
Steering angle		+/- 45°	+/- 30.6°	+/- 30°	+/- 30°	+/- 30°	+/- 30°			+/- 30°	
Oscillation		+/- 14°	+/- 10.5°	+/- 10.5°	+/- 10.5°	+/- 10.5°				+/- 10°	
G Height to top of ROPS (raised with beacon)	mm	2832	2920	2920	2920	2920		3203			3738

\*When fitted with narrow tyres

## CAPACITIES

	1THT	2TFT	2TST	2THS	3TFT	3TST	3.5TST	6TFT	6TST	9TFT	10TFT
Payload	kg	1000	2000	2000	3000	3000	3500	6000	6000	9000	10000
Unladen weight	kg	1350	N/A	N/A	2300	2320	2340	4275	4480	4920	N/A
Tipping type		Front tip - High tip	Swivel tip	Swivel tip - High tip	Front tip	Swivel tip	Swivel tip	Front tip	Swivel tip	Front tip	Front tip
Skip capacity (water)	litres	320	750	750	1250	1000	1000	1950	1850	2064	2446
Skip capacity (struck)	litres	450	1000	1000	1600	1520	1520	2750	2740	3899	4128
Skip capacity (heaped)	litres	540	1200	1200	1950	1880	1880	3780	3530	4587	5046

\*When fitted with narrow tyres

## ENGINE

	1THT	2TFT	2TST	2THS	3TFT	3TST	3.5TST	6TFT	6TST	9TFT	10TFT
Type		1THT	2TFT	2TST	2THS <td>3TFT</td> <td>3TST</td> <td>3.5TST</td> <td>6TFT</td> <td>6TST</td> <td>10TFT</td>	3TFT	3TST	3.5TST	6TFT	6TST	10TFT
Engine model		Kubota D905	Kubota D1703M	Kubota D1703M	Kubota V2203M	Kubota V2203M	Kubota V2203M	JCB EcoMAX	JCB EcoMAX	JCB EcoMAX	JCB EcoMAX
Capacity	cc	898	1647	1647	2197	2197	2197	4400	4400	4400	4400
Aspiration		Naturally Aspirated	Naturally Aspirated	Naturally Aspirated	Naturally Aspirated	Naturally Aspirated	Naturally Aspirated	Turbocharged	Turbocharged	Turbocharged	Turbocharged
Cylinders		3	3	3	4	4	4	4	4	4	4
Max. gross power to SAE J1995/ISO 14396	kW (hp)	15.5 (20.8)	24.5 (32.6)	24.5 (32.6)	32.4 (43.5)	32.4 (43.5)	32.4 (43.5)	55 (74)	55 (74)	55 (74)	55 (74)
Max torque	Nm	56	105	105	147	147	147	400	400	400	400
Emissions compliance		EU Stage 3A	EU Stage 3A	EU Stage 3A	EU Stage 3A	EU Stage 3A	EU Stage 3A	EU Stage 3B / Tier 4 Final	EU Stage 3B / Tier 4 Final	EU Stage 3B / Tier 4 Final	EU Stage 3B / Tier 4 Final

**TRANSMISSION**

	1THT	2TFT	2TST	2THS	3TFT	3TST	3TFT	3TST	3.5TST	6TFT	6TST	9TFT	10TFT
Type (standard)	Hydrostatic pump to 4 hydraulic wheel motors	Hydrostatic motor via transfer box to front and rear axles	Hydrostatic motor via transfer box to front and rear axles	Manual gearbox via transfer box to front and rear axles	Hydrostatic motor via transfer box to front and rear axles	Hydrostatic motor via transfer box to front and rear axles	Hydrostatic motor via transfer box to front and rear axles	Hydrostatic motor via transfer box to front and rear axles	Hydrostatic motor via transfer box to front and rear axles	Hydrostatic motor via transfer box to front and rear axles	Hydrostatic motor via transfer box to front and rear axles	Hydrostatic motor via transfer box to front and rear axles	Hydrostatic motor via transfer box to front and rear axles
Type (option)	-	-	-	-	-	-	-	-	-	-	-	-	-
Tyre size	255 / 75 x 15.2 x 8 ply (option 7.0 x 12 narrow tyre)	10.0 / 75 x 15.3 (10 ply)	10.0 / 75 x 15.3 (10 ply)	295 / 80 x 15.3 (10 ply)	295 / 80 x 15.3 (10 ply)	295 / 80 x 15.3 (10 ply)	295 / 80 x 15.3 (10 ply)	295 / 80 x 15.3 (10 ply)	295 / 80 x 15.3 (10 ply)	405-70-20 14PR	405-70-20 14PR	500-60-22.5 16PR	500-60-22.5 16PR
Drive	Hydrostatic / I	2 / 2 (High and low range - forward and reverse) Hydrostatic - permanent 4WD	2 / 2 (High and low range - forward and reverse) Hydrostatic - permanent 4WD	Manual - 3 Forward / Reverse	Manual - 3 Forward / Reverse	Manual - 3 Forward / Reverse	2 / 2 (High and low range - forward and reverse) Hydrostatic - permanent 4WD	2 / 2 (High and low range - forward and reverse) Hydrostatic - permanent 4WD	2 / 2 (High and low range - forward and reverse) Hydrostatic - permanent 4WD	4 / 4 Forward and reverse - permanent 4WD	4 / 4 Forward and reverse - permanent 4WD	4 / 4 Forward and reverse - permanent 4WD	4 / 4 Forward and reverse - permanent 4WD
Max travel speed (unladen)	7 (11) mph (kph)	10 (16)	10 (16)	11.8 (19)	11.8 (19)	11.8 (19)	14.66 (23.59)	14.66 (23.59)	14.66 (23.59)	16.3 (26.2)	16.3 (26.2)	14.66 (23.59)	14.66 (23.59)
Gradeability (maximum slope gradient)	20% (1 in 5)	19.5% (1 in 5)	19.5% (1 in 5)	25% (1 in 4)	25% (1 in 4)	25% (1 in 4)	20% (1 in 5)	20% (1 in 5)	20% (1 in 5)	20% (1 in 5)	20% (1 in 5)	20% (1 in 5)	20% (1 in 5)

**ELECTRICAL SYSTEM**

System voltage	12V												
Alternator output	30A												
Battery capacity	74Ah												
	55A												
	95A												
	100Ah												

**SERVICE FILL CAPACITIES**

	1THT	2TFT	2TST	2THS	3TFT	3TST	3TFT	3TST	3.5TST	6TFT	6TST	9TFT	10TFT
Hydraulic tank	25 litres	25	25	37	37	37	37	37	37	50	50	50	50
Fuel tank	35 litres	23	23	37	37	37	37	37	37	65	65	65	65

**HYDRAULICS**

	1THT	2TFT	2TST	2THS	3TFT	3TST	3TFT	3TST	3.5TST	6TFT	6TST	9TFT	10TFT
Pump   max. flow	29 l/min	21	21	30	30	30	30	30	30	61.2	61.2	61.2	61.2
Pump   max. pressure	152 bar	210	210	172	172	172	172	172	172	172	172	210	210
Steering system	Orbitrol hydrostatic steering unit powering central hydraulic steering ram												

**STEERING**

	1THT	2TFT	2TST	2THS	3TFT	3TST	3TFT	3TST	3.5TST	6TFT	6TST	9TFT	10TFT
Working brake	Hydrostatic dynamic braking on rear wheel motors												
Parking brake	Hydrostatic dynamic braking on rear wheel motors												
	Multi-plate in-board oil immersed discs on front axle												
	Over centre handbrake-oil immersed discs on front axle												
	Foot brake-oil immersed discs on front/rear												
	Over centre parking brake-dry disc on gearbox												

**ENVIRONMENTAL**

	1THT	2TFT	2TST	2THS	3TFT	3TST	3TFT	3TST	3.5TST	6TFT	6TST	9TFT	10TFT
Noise emission (to ISO 4871) - Sound pressure (LpAe)	83db	86 / db	86 / db	84db	84db	84db	84db	84db	84db	81 db	81 db	81 db	81 db
Sound power level (LWA)	101 db	101 db	101 db	101 db	101 db	101 db	101 db	101 db	101 db	101 db	101 db	101 db	101 db
Noise compliance	Noise - equipment used outdoors directive 2000/14/EC												
Vibration - hand arm (as defined in EN474-1 all operations)	< 2.5 m/s <sup>2</sup>												
Vibration - whole body (as defined in ISO/TR 25398-Work Cycle)	0.529ms (0.264m/s <sup>2</sup> Uncertainty)												

**STANDARD EQUIPMENT**

Folding ROPS frame, reversing alarm, flashing beacon, hour meter, seat belt (high visibility orange), seat (adjustable fore/aft, operator weight and back angle), heavy-duty articulation lock, towing/recovery (bracket) (IT N/A), leg guard (optional on 1T, 6T, 9T and 10T), CESAR Datasat security (optional on 1T), wide tyres (255/75 x 15.2 8ply) (standard on 1T only), narrow tyres (7.00x12) (optional on 1T), water in fuel monitoring (on 6T, 9T and 10T).
--

**OPTIONAL EQUIPMENT**

High visibility safety decals for steps and handrails, rear view mirror, road lights (RTA) including light guards, spare wheel, special paint, fan guard (1T N/A).
--