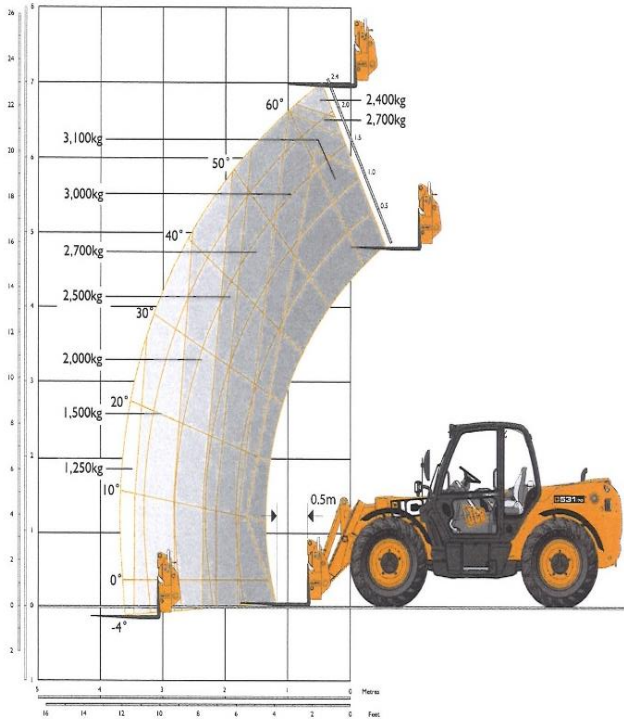


JCB 531-70

LIFT PERFORMANCE – 531-70



ENGINE

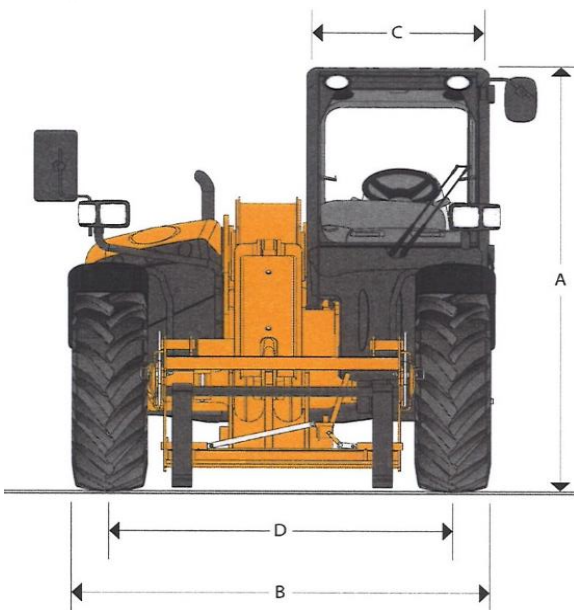
Latest technology and advanced design provides low fuel consumption, reduced noise, high torque and power output, total reliability and minimal maintenance. Two stage, dry type air filter with primary and safety elements. Territory dependent.

	Standard	Standard	Option	Option
Engine standard	Stage II	Stage III	Stage II	Stage III
Manufacturer	JCB	JCB	JCB	JCB
Displacement	ltr (in ³)	4.4 (269)	4.4 (269)	4.4 (269)
No. of cylinders	4	4	4	4
Bore size	mm (in)	103 (4.05)	103 (4.05)	103 (4.05)
Stroke	mm (in)	132 (5)	132 (5)	132 (5)
Aspiration	Naturally aspirated	Turbo	Turbo	Turbocharged cooled
Power rating				
Power @ 2200rpm	kW (HP)	63 (85)	63 (85)	74.2 (100)
Torque rating				
Torque @ 1200rpm	Nm (lbf ft)	320 (236)	362 (267)	-
Torque @ 1300rpm	Nm (lbf ft)	-	-	425 (313)

LIFT PERFORMANCE – 531-70

Machine Model		531-70
Maximum lift capacity	kg (lb)	3100 (6834)
Lift capacity to full height	kg (lb)	2400 (5291)
Lift capacity at full reach	kg (lb)	1250 (2756)
Lift height	m (ft-in)	7.0 (23-0)
Reach at maximum lift height	m (ft-in)	0.48 (1-7)
Maximum forward reach	m (ft-in)	3.7 (12-2)
Reach with 1 tonne load	m (ft-in)	3.7 (12-2)
Placing height	m (ft-in)	6.3 (20-8)

Complies with stability test EN 1459 Annex B.



LOADALL | 531-70

SERVICE CAPACITIES

Fuel tank	litres (UK gal)	146 (32.1)
Hydraulic tank	litres (UK gal)	113 (24.8)
Coolant	litres (UK gal)	23 (5.1)

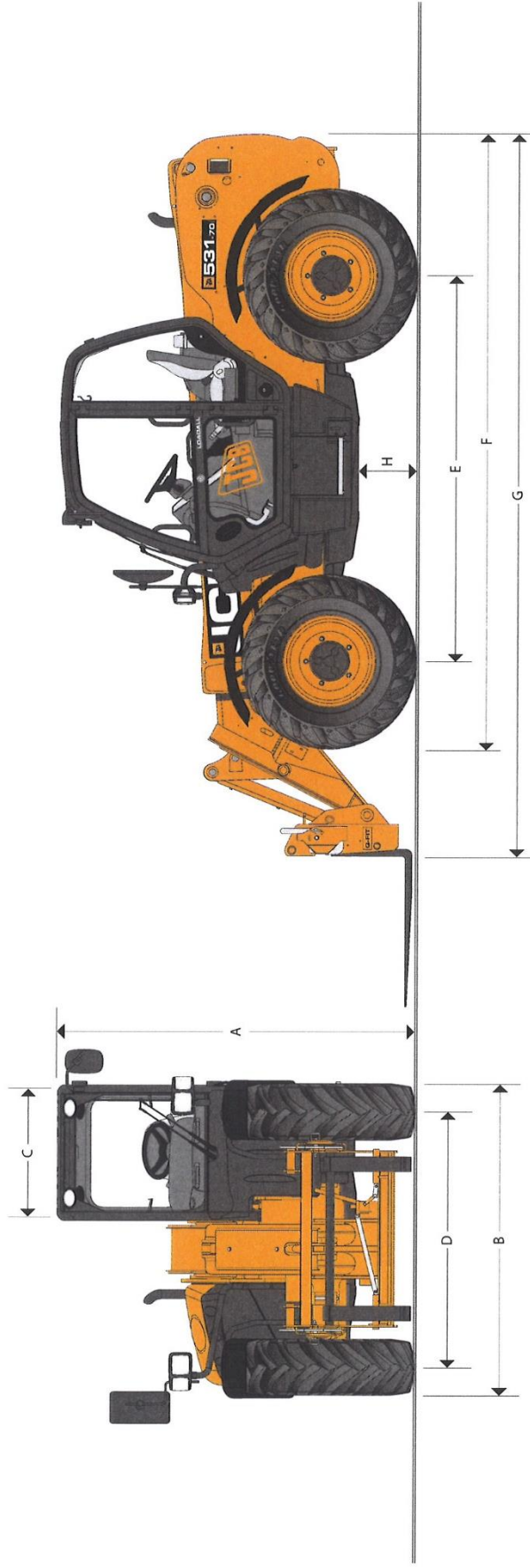
HYDRAULICS

Gear pump with suction strainer and filter.

Operating system pressure	bar (psi)	241 (3500)
Main Hydraulics	litres/min	82
Hydraulic Cycle Times		Seconds
Boom raise		7.2
Boom lower		5.4
Extend		6.8
Retract		5.0
Bucket dump		3.5
Bucket crowd		2.9



MAX. PAYLOAD: 3.1 tonnes (6834lb) MAX. LIFT HEIGHT: 7 metres (23ft)



STATIC DIMENSIONS

Machine model	531-70	Machine model	531-70
A Overall height	2.49 (8-2) m (ft-in)	H Ground clearance	0.40 (1-4) m (ft-in)
B Overall width (over tyres)*	2.23 (7-4)	Outside turn radius (over tyres)	3.7 (12-2)
C Inside width of cab	0.94 (3-1)	Carriage roll back angle	42.6 degrees
D Front track	1.81 (5-11)	Carriage dump angle	37.5 degrees
E Wheelbase	2.75 (9-0)	Weight - Fixed	7060 (15560) kg (lb)
F Overall length to front tyres	4.38 (14-4)	Tyres	15.5/80-24
G Overall length to front carriage	4.99 (16-4)		

*Dependant upon tyre specified.