

JCB 533-105



ENGINE

Latest technology and advanced design provides low fuel consumption, reduced noise, high torque and power output, total reliability and minimal maintenance. Two-stage, dry type air filter with primary and safety elements. Territory dependent.

		Standard	Standard	Option	Option
		Stage II	Stage III	Stage II	Stage III
Engine standard		Stage II	Stage III	Stage II	Stage III
Manufacturer		JCB	JCB	JCB	JCB
Displacement	ltr (in ³)	4.4 (269)	4.4 (269)	4.4 (269)	4.4 (269)
No. of cylinders		4	4	4	4
Bore size	mm (in)	103 (4.05)	103 (4.05)	103 (4.05)	103 (4.05)
Stroke	mm (in)	132 (5)	132 (5)	132 (5)	132 (5)
Aspiration		Naturally aspirated	Turbo	Turbo	Turbocharged cooled
Power rating					
Power @ 2200rpm	kW (HP)	63 (85)	63 (85)	74.2 (100)	74.2 (100)
Torque rating					
Torque @ 1200rpm	Nm (lbf ft)	320 (236)	362 (267)	-	-
Torque @ 1300rpm	Nm (lbf ft)	-	-	425 (313)	440 (324)

LOADALL | 533-105

SERVICE CAPACITIES

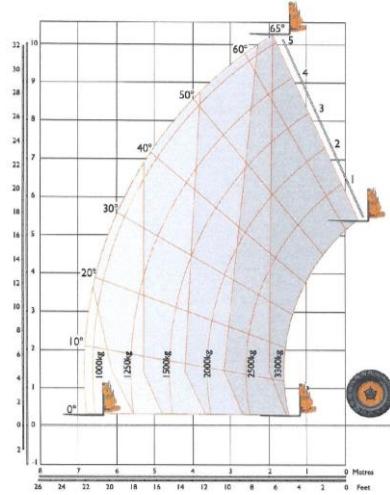
Fuel tank	litres (UK gal)	146 (32.1)
Hydraulic tank	litres (UK gal)	131 (28.8)
Coolant	litres (UK gal)	23 (5.1)

HYDRAULICS

Gear pump with suction strainer and filter.

Operating system pressure	bar (psi)	241 (3500)
Main Hydraulics	ltr/min	82
Hydraulic Cycle Times		Seconds
Boom raise		8.8
Boom lower		8.5
Extend		13.2
Retract		13.6
Bucket dump		2.4
Bucket crowd		3.4

LIFT PERFORMANCE – STABILISERS EXTENDED

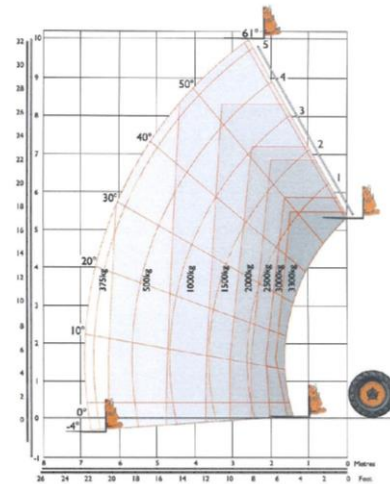


LIFT PERFORMANCE – STABILISERS EXTENDED

Machine Model	533-105	
Maximum lift capacity	kg (lb)	3300 (7277)
Lift capacity to full height	kg (lb)	3300 (7277)
Lift capacity at full reach	kg (lb)	1000 (2205)
Maximum lift height	m (ft-in)	10.22 (33-6)
Reach at maximum height	m (ft-in)	1.91 (6-3)
Maximum forward reach	m (ft-in)	6.83 (22-5)
Reach with 1 tonne	m (ft-in)	6.83 (22-5)
Placing height	m (ft-in)	9.82 (32-3)

Complies with stability test: EN 1459 Annex B.

LIFT PERFORMANCE – STABILISERS RETRACTED



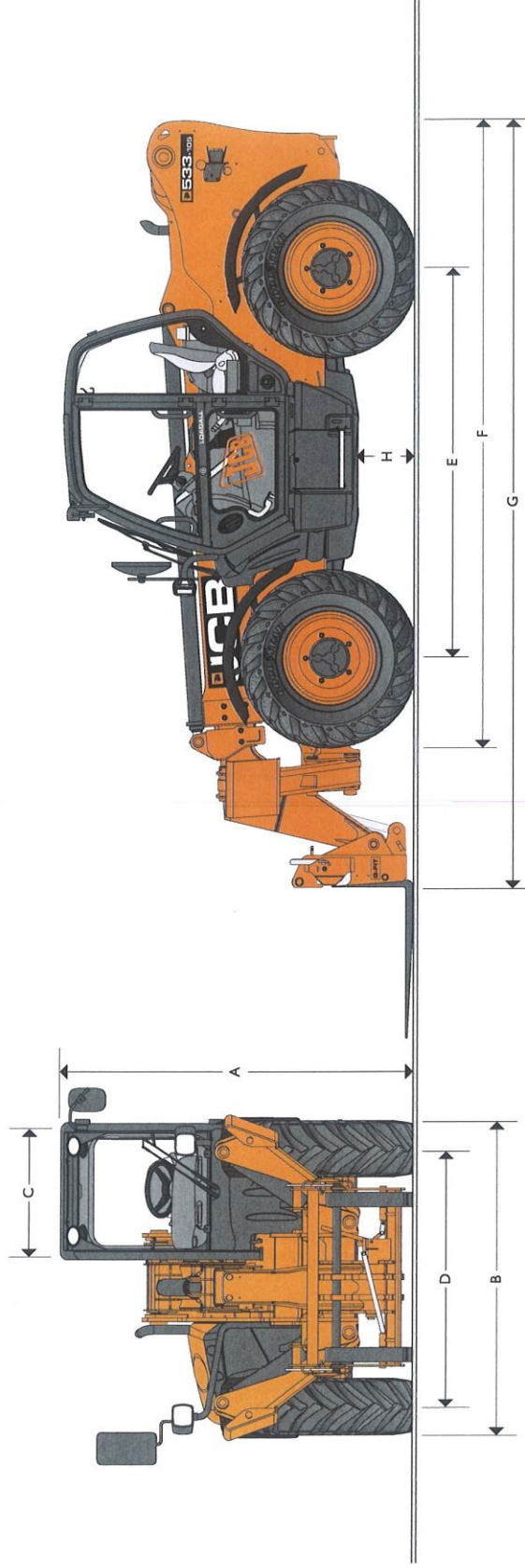
LIFT PERFORMANCE – STABILISERS RETRACTED

Machine Model	533-105	
Maximum lift capacity	kg (lb)	3300 (7277)
Lift capacity to full height	kg (lb)	1000 (2205)
Lift capacity at full reach	kg (lb)	375 (827)
Maximum lift height	m (ft-in)	9.85 (32-4)
Reach at maximum height	m (ft-in)	2.63 (8-8)
Maximum forward reach	m (ft-in)	6.91 (22-8)
Reach with 1 tonne	m (ft-in)	4.83 (15-10)
Placing height	m (ft-in)	9.44 (30-11)

Complies with stability test EN 1459 Annex B.



MAX. PAYLOAD: 3.3 tonnes (7277lb) MAX. LIFT HEIGHT: 10.2 metres (33ft 6in)



STATIC DIMENSIONS

Machine model	533-105	Machine model	533-105
	m (ft-in)		m (ft-in)
A Overall height	2.49 (8-2)	H Ground clearance	0.4 (1-4)
B Overall width (over tyres)*	2.29 (7-6)	Width over full extended stabilisers	2.63 (8-8)
C Inside width of cab	0.94 (3-1)	Outside turn radius (over tyres)	3.7 (12-2)
D Front track	1.87 (6-1)	Carriage roll back angle	41.2
E Wheel base	2.75 (9-0)	Carriage dump angle	24.1
F Overall length to front tyres	4.38 (14-4)	Weight	8850 (19506)
G Overall length to front carriage	5.38 (17-8)	Tyres	15.5/80-24

*Dependant upon tyre specified.