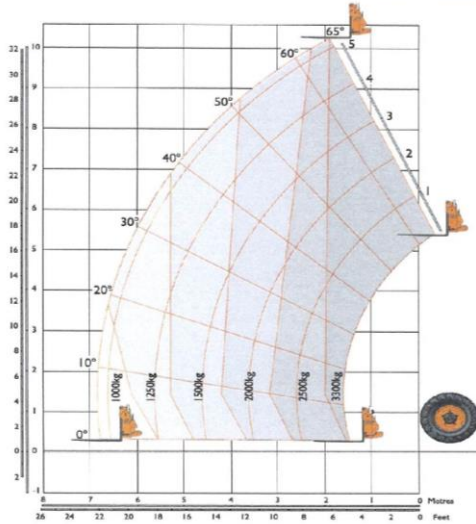


JCB 533-105

LIFT PERFORMANCE – STABILISERS EXTENDED



ENGINE

Latest technology and advanced design provides low fuel consumption, reduced noise, high torque and power output, total reliability and minimal maintenance. Two-stage, dry type air filter with primary and safety elements. Territory dependent.

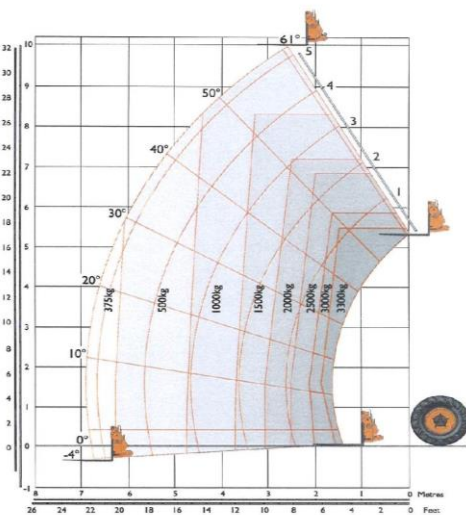
	Standard	Standard	Option	Option
Engine standard	Stage II	Stage III	Stage II	Stage III
Manufacturer	JCB	JCS	JCB	JCB
Displacement	ltr (m ³)	4.4 (269)	4.4 (269)	4.4 (269)
No. of cylinders	4	4	4	4
Bore size	mm (in)	103 (4.05)	103 (4.05)	103 (4.05)
Stroke	mm (in)	132 (5)	132 (5)	132 (5)
Aspiration	Naturally aspirated	Turbo	Turbo	Turbocharged cooled
Power rating				
Power @ 2200rpm	kW (HP)	63 (85)	63 (85)	74.2 (100)
Torque rating				
Torque @ 1200rpm	Nm (lbf ft)	320 (236)	362 (267)	-
Torque @ 1300rpm	Nm (lbf ft)	-	-	425 (313)

LIFT PERFORMANCE – STABILISERS EXTENDED

Machine Model		533-105
Maximum lift capacity	kg (lb)	3300 (7277)
Lift capacity to full height	kg (lb)	3300 (7277)
Lift capacity at full reach	kg (lb)	1000 (2205)
Maximum lift height	m (ft-in)	10.22 (33-6)
Reach at maximum height	m (ft-in)	1.91 (6-3)
Maximum forward reach	m (ft-in)	6.83 (22-5)
Reach with 1 tonne	m (ft-in)	6.83 (22-5)
Placing height	m (ft-in)	9.82 (32-3)

Complies with stability test: EN 1459 Annex B.

LIFT PERFORMANCE – STABILISERS RETRACTED



LIFT PERFORMANCE – STABILISERS RETRACTED

Machine Model		533-105
Maximum lift capacity	kg (lb)	3300 (7277)
Lift capacity to full height	kg (lb)	1000 (2205)
Lift capacity at full reach	kg (lb)	375 (827)
Maximum lift height	m (ft-in)	9.85 (32-1)
Reach at maximum height	m (ft-in)	2.63 (8-8)
Maximum forward reach	m (ft-in)	6.91 (22-8)
Reach with 1 tonne	m (ft-in)	4.83 (15-10)
Placing height	m (ft-in)	9.44 (30-11)

Complies with stability test EN 1459 Annex B.

LOADALL | 533-105

SERVICE CAPACITIES

Fuel tank	litres (UK gal)	146 (32.1)
Hydraulic tank	litres (UK gal)	131 (28.8)
Coolant	litres (UK gal)	23 (5.1)

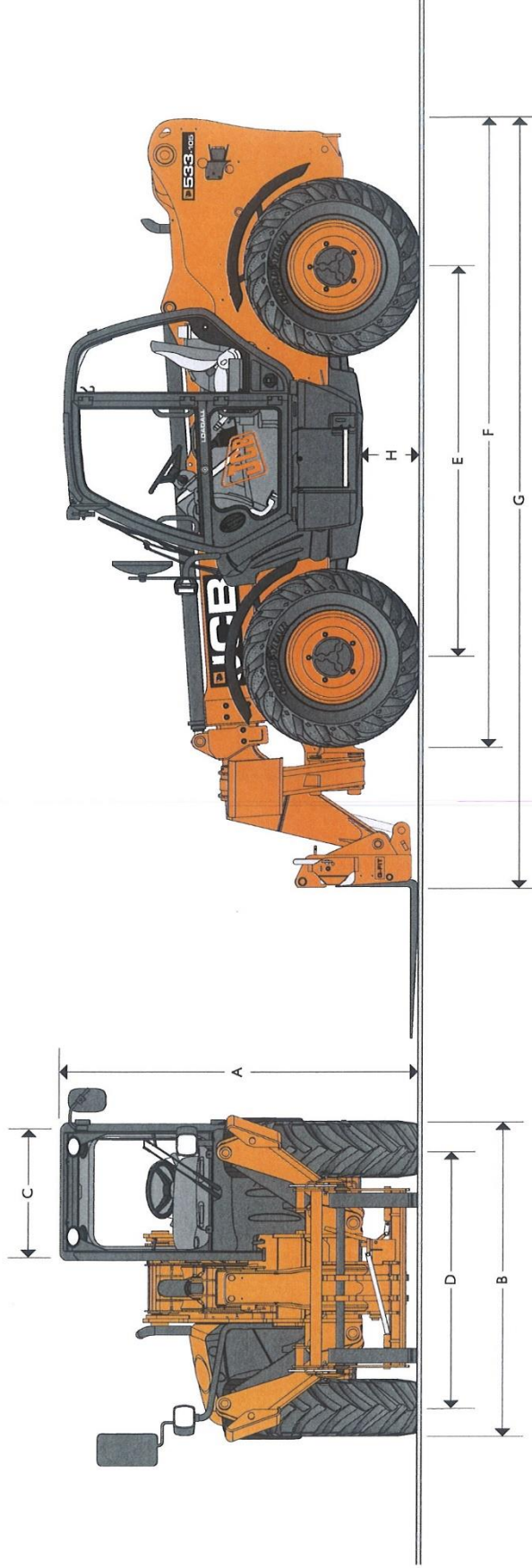
HYDRAULICS

Gear pump with suction strainer and filter.

Operating system pressure	bar (psi)	241 (3500)
Main Hydraulics	ltr/min	82
Hydraulic Cycle Times	Seconds	
Boom raise		8.8
Boom lower		8.5
Extend		13.2
Retract		13.6
Bucket dump		2.4
Bucket crowd		3.4



MAX. PAYLOAD: 3.3 tonnes (7277lb) MAX. LIFT HEIGHT: 10.2 metres (33ft 6in)



STATIC DIMENSIONS

Machine model	533-I05	Machine model	533-I05
A Overall height	m (ft-in) 2.49 (8-2)	H Ground clearance	m (ft-in) 0.4 (1-4)
B Overall width (over tyres)*	2.29 (7-6)	Width over full extended stabilisers	2.63 (8-8)
C Inside width of cab	0.94 (3-1)	Outside turn radius (over tyres)	3.7 (12-2)
D Front track	1.87 (6-1)	Carriage roll back angle	degrees 41.2
E Wheel base	2.75 (9-0)	Carriage dump angle	degrees 24.1
F Overall length to front tyres	4.38 (14-4)	Weight	kg (lb) 8850 (19506)
G Overall length to front carriage	5.38 (17-8)	Tyres	15.5/80-24

*Dependant upon tyre specified.