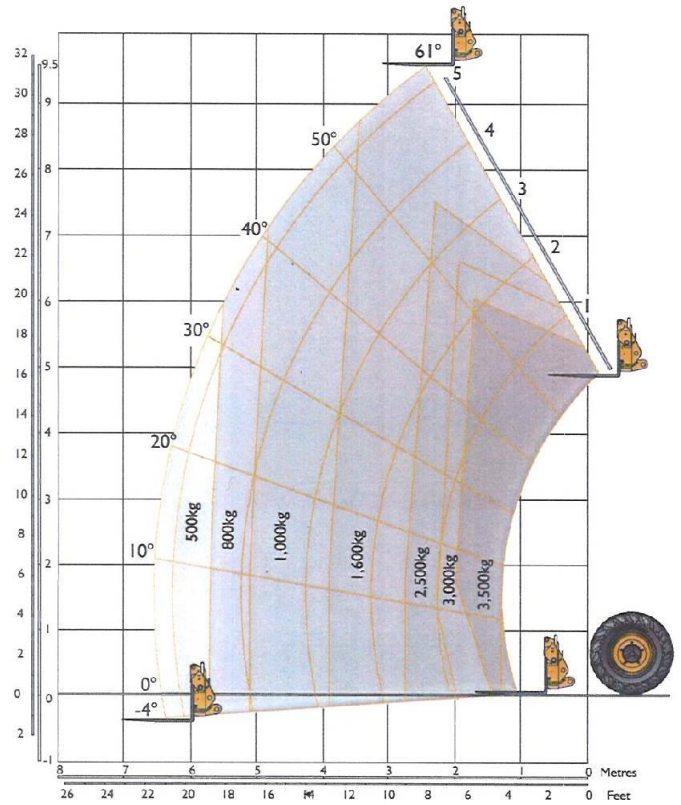


# JCB 535-95



## LIFT PERFORMANCE – 535-95

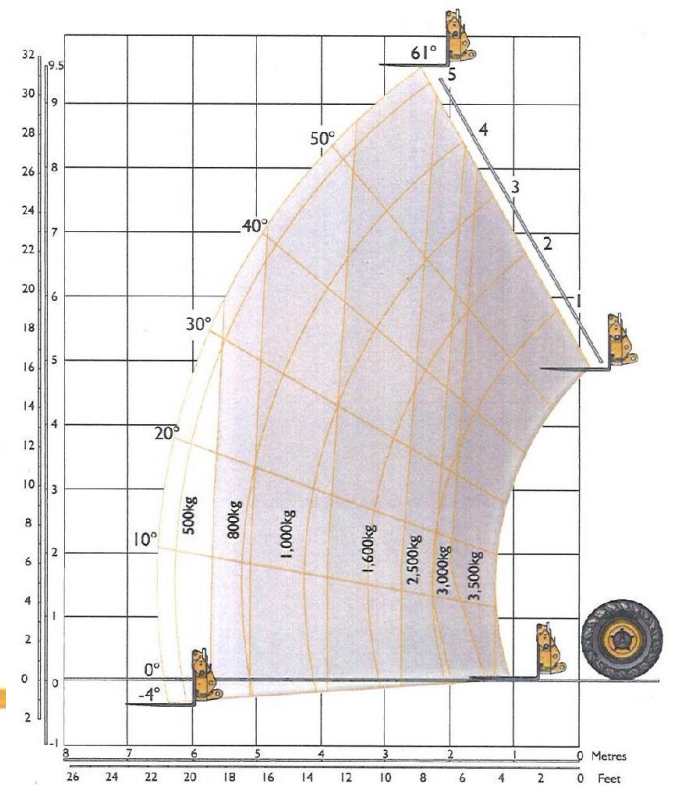


## LIFT PERFORMANCE – 535-95

Machine Model		535-95
Maximum lift capacity	kg (lb)	3500 (7716)
Lift capacity to full height	kg (lb)	1600 (3527)
Lift capacity at full reach	kg (lb)	500 (1102)
Lift height	m (ft-in)	9.50 (31-2)
Reach at maximum lift height	m (ft-in)	2.43 (7-11)
Maximum forward reach	m (ft-in)	6.52 (21-5)
Reach with 1 tonne load	m (ft-in)	5.08 (16-8)
Placing height	m (ft-in)	8.78 (28-9)

Complies with stability test: EN 1459 Annex B.

## LIFT PERFORMANCE – 535-95 SWAY



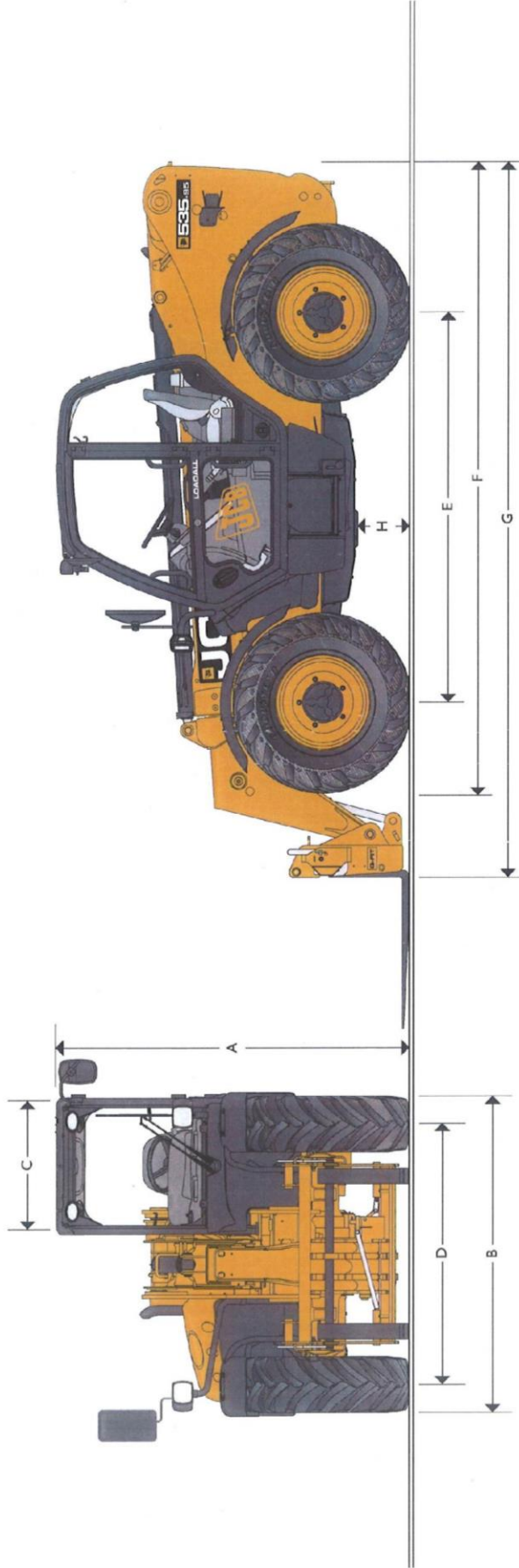
## LIFT PERFORMANCE – 535-95 SWAY

Machine Model		535-95 Sway
Maximum lift capacity	kg (lb)	3500 (7716)
Lift capacity to full height	kg (lb)	1600 (3527)
Lift capacity at full reach	kg (lb)	500 (1102)
Lift height	m (ft-in)	9.50 (31-2)
Reach at maximum lift height	m (ft-in)	2.43 (7-11)
Maximum forward reach	m (ft-in)	6.52 (21-5)
Reach with 1 tonne load	m (ft-in)	5.08 (16-8)
Placing height	m (ft-in)	8.78 (28-9)

Complies with stability test: EN 1459 Annex B.



MAX. PAYLOAD: 3.5 tonnes (7716lb) MAX. LIFT HEIGHT: 9.5 metres (31ft 2in)



STATIC DIMENSIONS

Machine model	535-95	Machine model	535-95
	m (ft-in)		m (ft-in)
A Overall height	2.49 (8-2)	H Ground clearance	0.40 (1-4)
B Overall width (over tyres)*	2.29 (7-6)	Outside turn radius (over tyres)	3.7 (12-2)
C Inside width of cab	0.94 (3-1)	Carriage roll back angle	degrees
D Front track	1.87 (6-1)	Carriage dump angle	degrees
E Wheelbase	2.75 (9-0)	Weight - Fixed	kg (lb)
F Overall length to front tyre	4.38 (14-4)	Weight - Sway	kg (lb)
G Overall length to front carriage	4.99 (16-4)	Tyres	15.5/80-24

\*Dependant upon tyre specified.