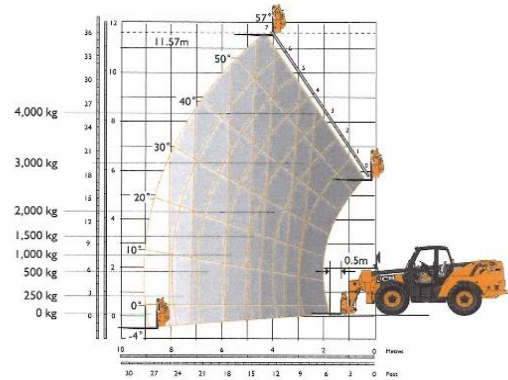


JCB 540-170



LIFT PERFORMANCE – STABILISERS RETRACTED



Chassis Levelling (Sway)
With stabilisers retracted (Sway angle $\pm 9^\circ$)

ENGINE

Latest technology and advanced design provides low fuel consumption, reduced noise, high torque and power output, total reliability and minimal maintenance. Two-stage, dry type air filter with primary and safety elements. Territory dependent.

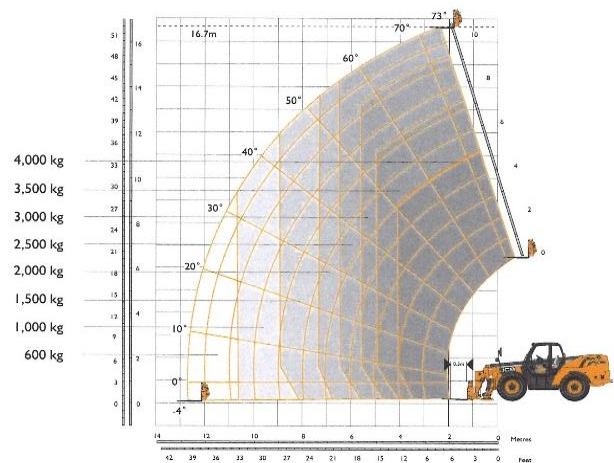
	Standard	Standard	Standard	Option	Option	Option
	Stage II	Stage III	Stage IIIb	Stage III	Stage III	Stage IIIb
Engine standard	Stage II	Stage III	Stage IIIb	Stage III	Stage III	Stage IIIb
Manufacturer	JCB	JCB	JCB	JCB	JCB	JCB
Displacement	litr (in ³)	4.4 (269)	4.4 (269)	4.4 (269)	4.4 (269)	4.4 (269)
No. of cylinders	4	4	4	4	4	4
Bore size	mm (in)	103 (4.05)	103 (4.05)	103 (4.05)	103 (4.05)	103 (4.05)
Stroke	mm (in)	132 (5.0)	132 (5.0)	132 (5.0)	132 (5.0)	132 (5.0)
Aspiration	Turbo	Turbocharged Cooled	Turbocharged Cooled	Turbocharged Cooled	Turbocharged Cooled	Turbocharged Cooled
Power rating						
Power @ 2200rpm	kW (HP)	74.2 (100)	74.2 (100)	81 (109)	85.0 (114)	97 (130)
Torque rating						
Torque @ 1300rpm	Nm (lbf ft)	425 (313)	440 (324)	—	440 (324)	—
Torque @ 1500rpm	Nm (lbf ft)	—	—	516 (381)	—	532 (392)
						550 (406)

LIFT PERFORMANCE – STABILISERS RETRACTED

With Stabilisers Retracted		
Maximum lift capacity	kg (lb)	4000 (8820)
Lift capacity to maximum lift height	kg (lb)	1500 (3310)
Lift capacity at full reach	kg (lb)	0 (0)
Maximum lift height	m (ft-in)	11.57 (37-11)
Reach at maximum lift height	m (ft-in)	4.15 (13-7)
Maximum forward reach	m (ft-in)	9.04 (29-8)
Reach with 1 tonne load	m (ft-in)	5.76 (18-11)
Placing Height	m (ft-in)	10.90 (35-9)

Complies with stability test EN 1459 Annex B.

LIFT PERFORMANCE – STABILISERS EXTENDED



LIFT PERFORMANCE – STABILISERS EXTENDED

With stabilisers extended		
Maximum lift capacity	kg (lb)	1000 (8820)
Lift capacity to full height	kg (lb)	2500 (5510)
Lift capacity at full reach	kg (lb)	600 (1320)
Lift height	m (ft-in)	16.7 (54-9)
Reach at maximum lift height	m (ft-in)	2.05 (6-9)
Maximum forward reach	m (ft-in)	12.50 (41-0)
Reach with 1 tonne load	m (ft-in)	10.50 (34-5)
Placing Height	m (ft-in)	16.20 (53-2)

Complies with stability test EN 1459 Annex B.

LOADALL | 540-170

HYDRAULICS

Gear pump, with suction strainer and filter allows simultaneous operation of raise/lower and extend/retract.

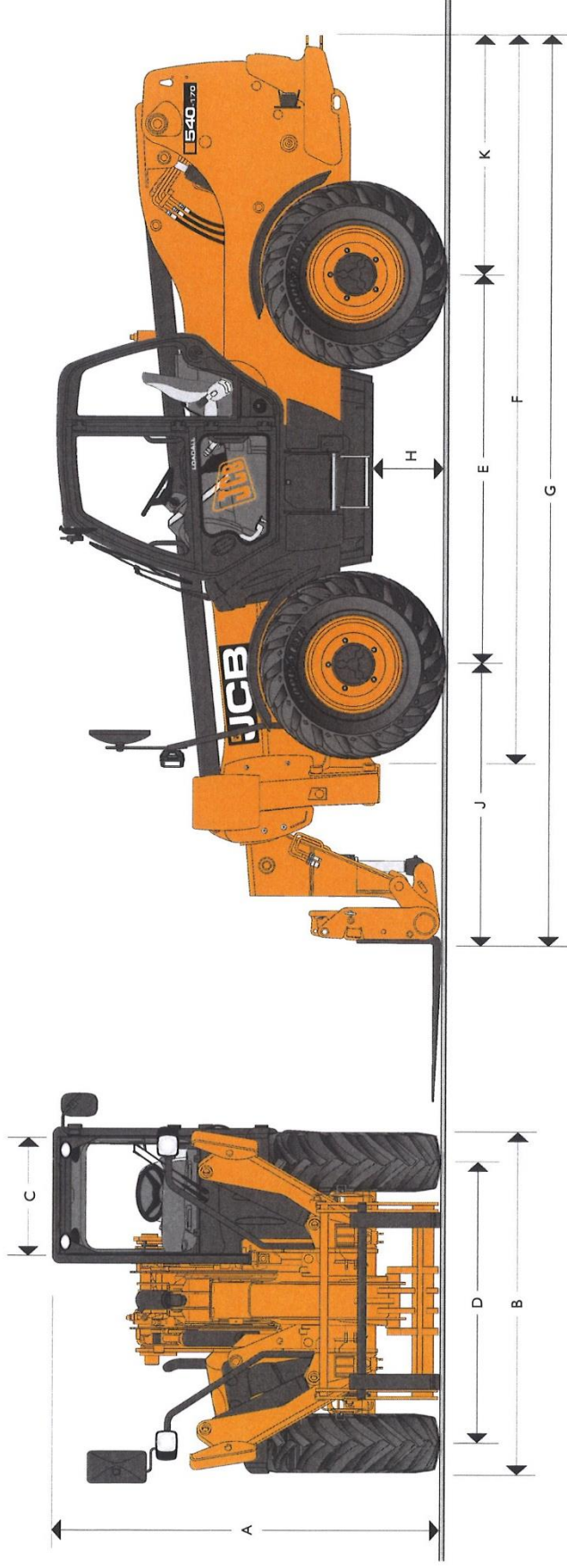
Operating system pressure	bar (psi)	260 (3770)
Flow at system pressure @ 2200rpm	litr/min	90+72
Hydraulic Cycle Times		Seconds
Stabiliser lower		6.6
Stabiliser lift		4.9
Boom raise and extend		41.8
Boom lower and retract		33
Bucket dump		4.7
Bucket crowd		5.1

SERVICE CAPACITIES

Fuel tank	litres (UK gal)	146 (32.1)
Hydraulic tank	litres (UK gal)	150 (33.0)
Coolant	litres (UK gal)	23 (5.1)



MAX. PAYLOAD: 4.0 tonnes (8820lb) MAX. LIFT HEIGHT: 16.7 metres (54ft 9in)



STATIC DIMENSIONS

Machine model	540-170 m (ft-in)	Machine model	540-170 m (ft-in)
A Overall height	2.69 (8-10)	J Front wheel centre to carriage	1.94 (6-4)
B Overall width (over tyres)*	2.44 (8-0)	K Rear wheel centre to rear face	1.67 (5-5)
C Inside width of cab	0.94 (3-1)	Overall width with stabilisers fully deployed	3.55 (11-8)
D Front track	1.90 (6-3)	Outside turn radius (over tyres)	4.1 (13-5)
E Wheelbase	2.75 (9-0)	Carriage roll back angle	39 degrees
F Overall length to front tyres	5.08 (16-8)	Carriage dump angle	8.8 degrees
G Overall length to front carriage	6.36 (20-10)	Weight	12060 (26586) kg (lb)
H Ground clearance	0.40 (1-4)	Tyres	15.5/80-24

*Dependant upon tyre specified.