

# JCB 540v-140

JCB LOADALL | 540-140



## ENGINE

Latest technology and advanced design provides low fuel consumption, reduced noise, high torque and power output, total reliability and minimal maintenance.

Two-stage, dry type air filter with primary and safety elements.

Machine Model		Standard	Option	Option
Displacement	ltr (m <sup>3</sup> )	4.4 (269)	4.4 (269)	4.4 (269)
No. of cylinders		4	4	4
Bore size	mm (in)	105 (4.13)	105 (4.13)	105 (4.13)
Stroke	mm (in)	127 (5)	127 (5)	127 (5)
Aspiration		Naturally aspirated	Turbo	Turbo intercooled
<b>Power rating</b>				
Power @ 2200rpm	kW (HP)	62.0 (82.5)	74.5 (100)	90.5 (121)
<b>Torque rating</b>				
Torque	Nm (lbf ft)	308 (227)	415 (306)	434 (320)

## SERVICE CAPACITIES

Fuel tank	litres (UK gal)	125 (27.5)
Hydraulic tank	litres (UK gal)	131 (28.8)
Coolant	litres (UK gal)	23 (5.1)



## HYDRAULICS

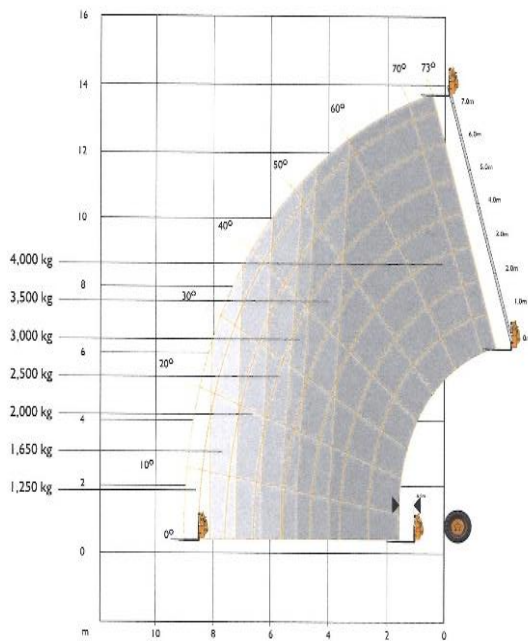
Two stage gear pump with suction strainer and filter.

Operating system pressure	bar (psi)	241 (3500)
Main Hydraulics	litres/min	110

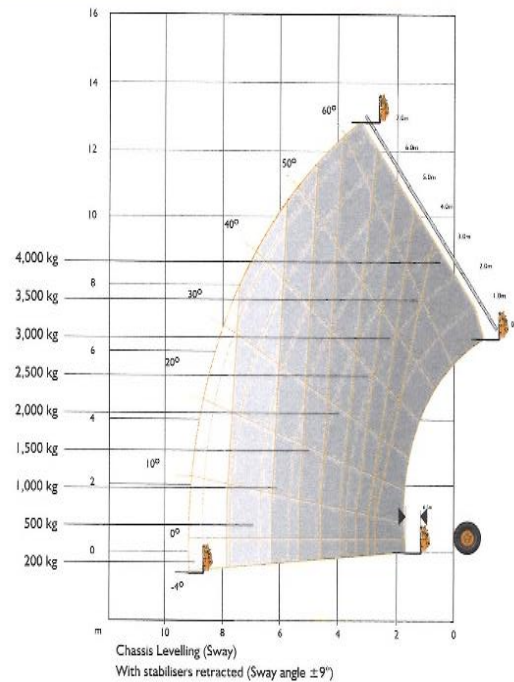
### Hydraulic Cycle Times

	Seconds
Boom raise	14.2
Boom lower	11.9
Extend	22.3
Retract	18.6
Bucket dump	2.4
Bucket crowd	3.2

## LIFT PERFORMANCE – STABILISERS EXTENDED



## LIFT PERFORMANCE – STABILISERS RETRACTED



## LIFT PERFORMANCE – STABILISERS EXTENDED

Machine Model		540-140
Maximum lift capacity	kg (lb)	4000 (8818)
Lift capacity to full height	kg (lb)	4000 (8818)
Lift capacity at full reach	kg (lb)	1250 (2756)
Lift height	m (ft-in)	13.8 (45-3)
Reach at maximum lift height	m (ft-in)	0.74 (2-5)
Maximum forward reach	m (ft-in)	9.25 (30-4)
Reach with 1 tonne load	m (ft-in)	9.25 (30-4)
Placing Height	m (ft-in)	13.25 (43-6)

Complies with stability test EN1459 annex B. Lift heights are with stabilisers fully extended.

## LIFT PERFORMANCE – STABILISERS RETRACTED

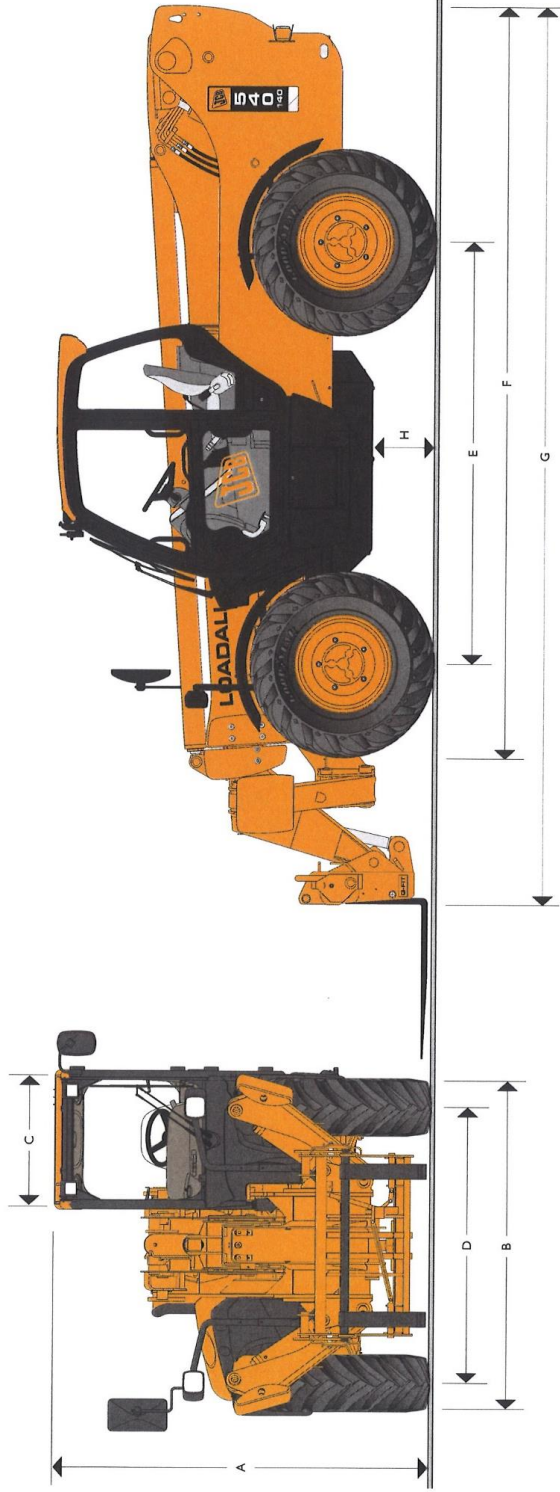
Machine Model		540-140
Maximum lift capacity	kg (lb)	4000 (8818)
Lift capacity to full height	kg (lb)	2000 (4410)
Lift capacity at full reach	kg (lb)	200 (44)
Lift height	m (ft-in)	12.82 (42-1)
Reach at maximum lift height	m (ft-in)	2.94 (9-8)
Maximum forward reach	m (ft-in)	9.25 (30-4)
Reach with 1 tonne load	m (ft-in)	6.25 (20-6)
Placing Height	m (ft-in)	12.25 (40-2)

Complies with stability test EN1459 annex B.



## JCB LOADALL | 540-140

MAX. PAYLOAD: 4.0 tonnes (8818lb)  
 MAX. LIFT HEIGHT: 13.8 metres (45ft 3in)



### STATIC DIMENSIONS

Machine model	540-140	540-140
	m (ft-in)	m (ft-in)
A Overall height	2.59 (8-6)	
B Overall width (over tyres)*	2.35 (7-9)	
C Inside width of cab	0.94 (3-1)	
D Front track	1.90 (6-3)	
E Wheelbase	2.90 (9-6)	
F Overall length to front tyres	5.18 (17-0)	
G Overall length to front carriage		6.25 (20-6)
H Ground clearance		0.40 (1-4)
Outside turn radius (over tyres)		4.10 (13-5)
Weight		10858 (23934)
Tyres		15.5-25

\*Dependant upon tyre specified.