

JCB 8085ZTS



MARSH PLANT®

NEW LANE, HAVANT, HAMPSHIRE, PO9 2LZ

Telephone 023 9248 2323

www.marshplant.com

Millbrook Road, Southampton
Hampshire, SO15 0LB
Telephone 023 8052 2600
southampton@marshplant.com

Drakes Drive, longCrendon
Aylesbury, HP18 9BA
Telephone 01844 204000
longcrendon@marshplant.com

Cabot Lane, Creekmoor, Poole
Dorset BH17 7BX
Telephone 01202 642820
poole@marshplant.com

7b Watercombe Park
Gazelle Road, Yeovil
Somerset, BA20 2HL
Telephone 01935 415970
yeovil@marshplant.com

Wallingford Road, Uxbridge
Middlesex UB8 2SS
Telephone 01844 204000
longcrendon@marshplant.com



SERVICE CAPACITIES

Fuel tank	litres (US gal)	103 (27.3)
Engine coolant	litres (US gal)	14.2 (3.8)
Engine oil	litres (US gal)	6.8 (1.49)
Hydraulic system	litres (US gal)	105 (27.7)
Hydraulic tank	litres (US gal)	59.9 (15.8)

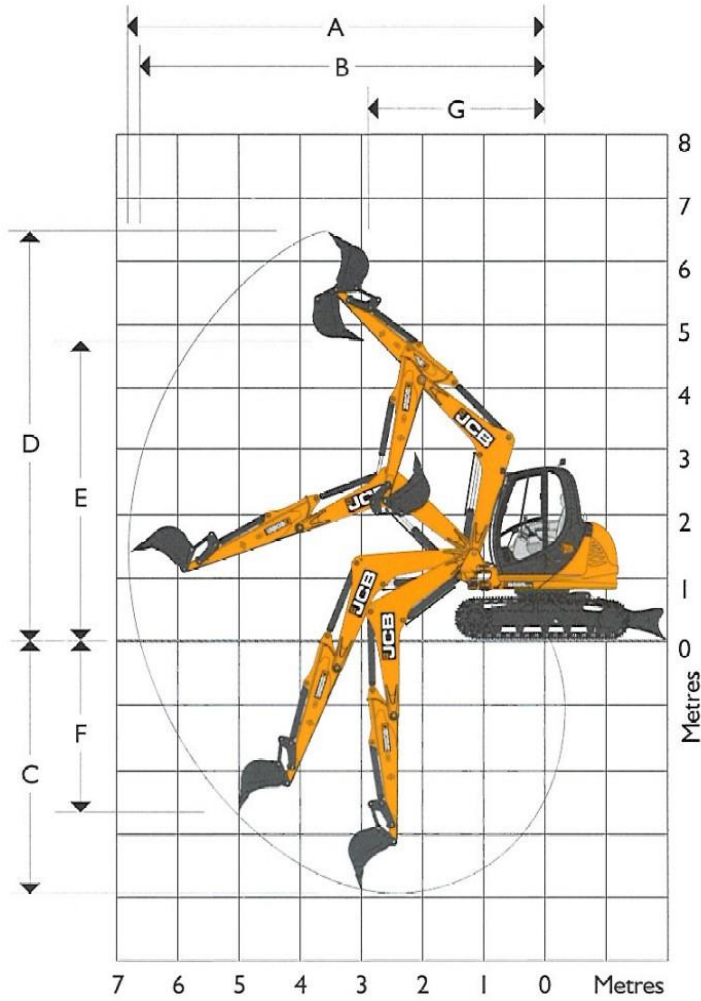
ENGINE

Model		Tier 3 4LE2X
Fuel		Diesel
Cooling		Water cooled
Net power	kW(hp) @ 2200 rpm	39.5 (53.0)
Gross power	kW(hp) @ 2200 rpm	43 (57.6)
Gross torque	Nm(lbf ft) @ 1600 rpm	220 (162)
Displacement	cc	2179
Gradability	degrees	35
Starter motor	kW(hp)	2.2 (3)
Battery	volt/amps	12/680
Alternator	volt/amps	12/80

WORKING RANGE

Boom length	mm (ft-in)	2875 (9-5)
Dipper length	mm (ft-in)	2000 (6-7)
A Max digging reach	mm (ft-in)	6887 (22-7)
B Max digging reach on ground	mm (ft-in)	6729 (22-1)
C Max digging depth – dozer up	mm (ft-in)	4195 (13-9)
C Max digging depth – dozer down	mm (ft-in)	4345 (14-3)
D Max digging height	mm (ft-in)	6312 (20-9)
E Max dump height	mm (ft-in)	4580 (15-0)
F Max height to dipper nose pivot pin	mm (ft-in)	5391 (17-8)
G Max vertical wallcut depth	mm (ft-in)	2668 (8-9)
H Min. front swing radius (no offset)	mm (ft-in)	2862 (9-5)
H Min. front swing radius (fully offset)	mm (ft-in)	2358 (7-9)
I Boom swing left	degrees	60
J Boom swing right	degrees	57
Bucket rotation	degrees	197
Dipper rotation	degrees	119
Bucket tearout	kN (lbf)	50 (11240)
Dipper tearout	kN (lbf)	36 (8093)
Slew speed	rpm	9

WORKING RANGE



LIFT CAPACITIES – 8085 ZTS 450mm Rubber Tracks, No bucket, 2000 mm Dipper

Load Point	2.5m (8ft 2in)			3.0m (9ft 10in)			3.5m (11ft 6 in)			4m (13ft 1 in)			4.5m (14ft 9in)			5m (16ft 5in)			5.5m (18ft 1in)			Capacity at max. reach													
	Dozer up	Dozer down	Lift	Dozer up	Dozer down	Lift	Dozer up	Dozer down	Lift	Dozer up	Dozer down	Lift	Dozer up	Dozer down	Lift	Dozer up	Dozer down	Lift	Dozer up	Dozer down	Lift	Dozer up	Dozer down	Lift	Dozer up	Dozer down	Lift	Dozer up	Dozer down	Lift					
Height																																			
m (ft-in)	kg	kg	kg	kg	kg	kg	kg	kg	kg	kg	kg	kg	kg	kg	kg	kg	kg	kg	kg	kg	kg	kg	kg	kg	kg	kg	kg	kg	kg	kg	kg	kg	kg	m (ft-in)	
3.5 (11-6)																																			
3 (9-10)																																			
2.5 (8-2)																																			
2 (6-7)																																			
1.5 (4-11)																																			
1 (3-3)																																			
0.5 (1-8)	1700*	4968	2325*	2295*	4176	1875*	1830*	3341	1605*	1538*	2706	1298*	1268*	2349	1088*	1103*	2166	945*	960*	1975	833*	908*	1905	803*	1905	803*	1905	803*	1905	803*	1905	803*			
Ground Level	2730*	5203	2250*	2288*	4489	1853*	1770*	3497	1515*	1545*	2993	1293*	1268*	2540	1103*	1095*	2262	953*	953*	2027	833*	923*	1992	810*	1992	810*	1992	810*	1992	810*	1992	810*			
-0.5 -(1-8)	2678*	5481	2325*	2213*	5407	1860*	1748*	3698	1508*	1455*	3071	1268*	1268*	2636	1080*	1095*	2366	953*	953*																
-1 -(3-3)	2873*	5742	2348*	2258*	5681	1883*	1755*	3680	1500*	1485*	3106	1275*	1230*	2680	1095*	1080*	2262	953*	953*																

Lift capacity front and rear.
 Lift capacity full circle.

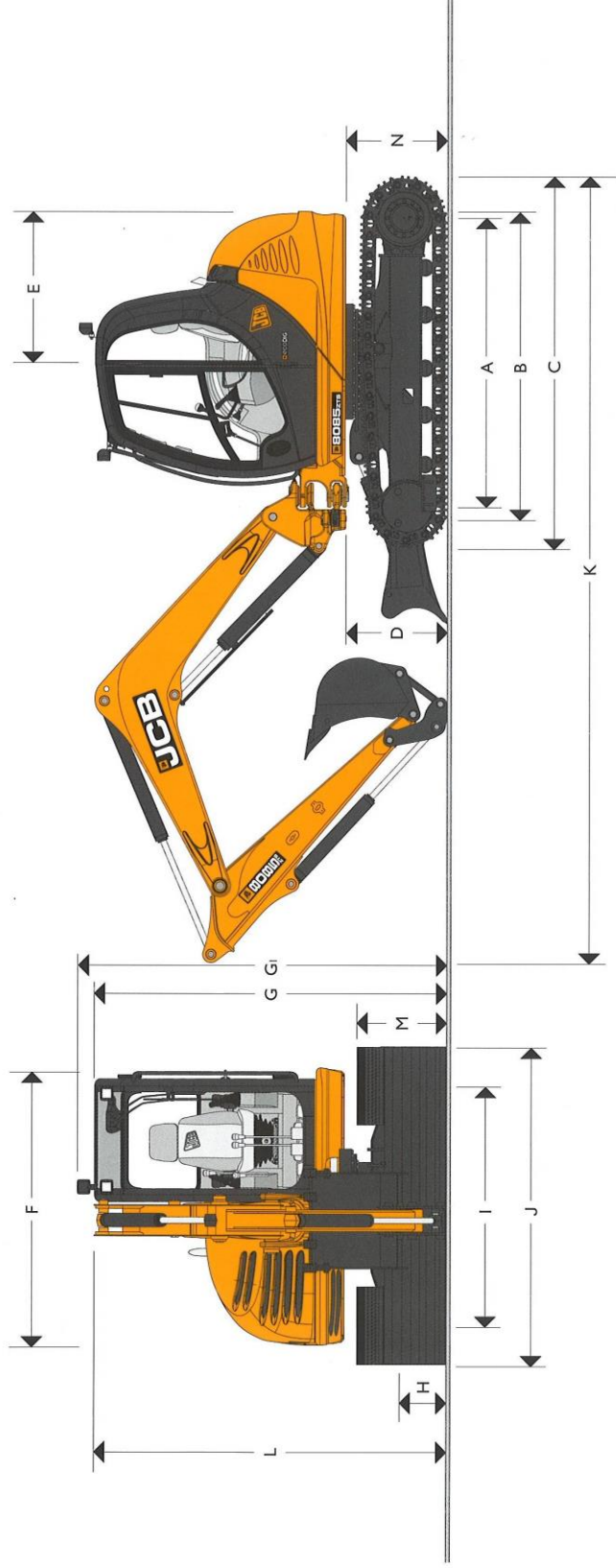
- Notes:**
- Lifting capacities are based on ISO 10567, that is: 75% of minimum tipping load or 87% of hydraulic lift capacity, whichever is the less. Lifting capacities marked* are based on hydraulic capacity.
 - Lift capacities assume that the machine is on firm, level ground and equipped with an approved lifting point.
 - A bucket must be fitted when lifting, the weight of this bucket must be deducted from the above lift capacities.
 - Lift capacities may be limited by local regulations. Please refer to your dealer.



MIDI EXCAVATOR 8085 ZTS | SPECIFICATION



OPERATING WEIGHT: 8026 kg (17694 lbs) NETT ENGINE POWER: 39.5 kW (53 hp)



STATIC DIMENSIONS

	mm (ft-in)	mm (ft-in)	
A Sprocket idler centres	2280 (7-6)	G1 Height over cab - work lights	2830 (9-3)
B Track length on ground	2200 (7-3)	H Ground clearance	363 (1-2)
C Undercarriage overall length - rubber	2830 (9-3)	I Track gauge	1850 (6-1)
Undercarriage overall length - steel	2830 (9-3)	J Width over tracks (450 shoes)	2300 (7-7)
D Kingpost clearance	741 (2-5)	K Transport length with standard dipper	6060 (19-11)
E Tailswing radius	1160 (3-10)	L Transport height with standard dipper	2840 (9-4)
F Overall width of superstructure	2135 (7-0)	M Track height	665 (2-2)
G Height over cab	2719 (8-11)	N Counter weight clearance	767 (2-6)