

# JCB 926-4



## TURN RADIUS & GROUND LINE ANGLES

Machine model		926	930
Outside turn radius	m (ft-in)	4.49 (14-8¼)	4.49 (14-8¼)
Departure angle		53°	43°
Obstruction angle		51°	51°

The above data based on the following specification: Standard fork size 1067 x 100 x 50 mm (42 x 4 x 2 in)

## WEIGHT

Machine model		926	930
Overall weight	kg (lb)	5910 (13025)	6340 (13973)

The above data based on the following specification: Standard fork size 1067 x 100 x 50 mm (42 x 4 x 2 in)

## ENGINE

		926 & 930
Model		JCB Diesel TC-63
Displacement	litres	4.4
Fuel		Diesel
Cooling		Liquid
Bore	mm	103
Stroke	mm	132
Gross power – ISO 14396 @ 2200rpm	kW (hp)	63.0 (84)
Gross torque – ISO 14396 @ 1300rpm	Nm (lbf ft)	350 (258)
Emission certification		EC Stage IIIA/USA EPA Tier 3
Engine oil service intervals		500 hours

## TRANSMISSION

For unbeatable drive power in all conditions, the JCB Syncro Shuttle combines a 4-speed, fully synchronesh gearbox with integral torque converter and electrically operated reversing shuttle for smooth gear changes on the move and fast cycle times. Column mounted electric switch effortlessly controls machine direction changes allowing operator to keep hands on steering wheel. Automotive style pedal layout and conventional H-pattern gear lever add to ease of operation. Travel speed 29.0km/h (18mph).

**Front drive axle:** JCB epicyclic hub reduction drive axle with Max-Trac torque proportioning differentials.

**Rear steer axles:** JCB manufacture with hydrostatic power steering. Steer shock valve as standard. 4WD versions with epicyclic hub reduction and Max-Trac torque proportioning differentials. 2WD versions have a deadsteer axle as standard.

## BRAKES

**Service brakes:** Hydraulically activated, self-adjusting, oil-immersed in-board multi-disc type in front axle.

**Parking brake:** Hand operated disc brake on output of gearbox.

## MASTS AND CARRIAGES

Clear-view masts manufactured from channel and I-section steel. Heavy duty mast chains. Guide roller bearings are sealed for life. Industrial class IIIB carriage, or bar carriage available for all masts. All carriages have side thrust roller adjustable right hand tilt ram.

## TYRES

Machine model	926	930
Standard tyres	16.5/85-24	16.5/85-24
(UK) Front	Traction	Traction
Rear 2WD	12.5/80-18	12.5/80-18
	Rib and bar	Rib and bar
Rear 4WD	12.5/80-18	12.5/80-18
	Traction	Traction

## HYDRAULICS

Single gear pump with steer priority valve, suction strainer and filter. Operating system pressure: 221 bar (3200psi). flow 55 ltr/min (12.5gal/min). Pipe burst protection on mast hydraulics.

## AUTOMATIC DERATION

Deration valve: 5.5m and 6.70m masts are fitted with a deration valve which automatically reduces lift capacity above 4.5m for safety and stability.

## SERVICE CAPACITIES

	litres (UK gal)
Fuel tank	88 (19.0)
Hydraulic tank	60 (13)
Coolant	17 (3.7)

## ELECTRICS

12v negative earth. 95Ah battery, 65 amp alternator. Full road lighting, direction indicators, hazard warning reverse and fog light.

## OPERATOR MODULE

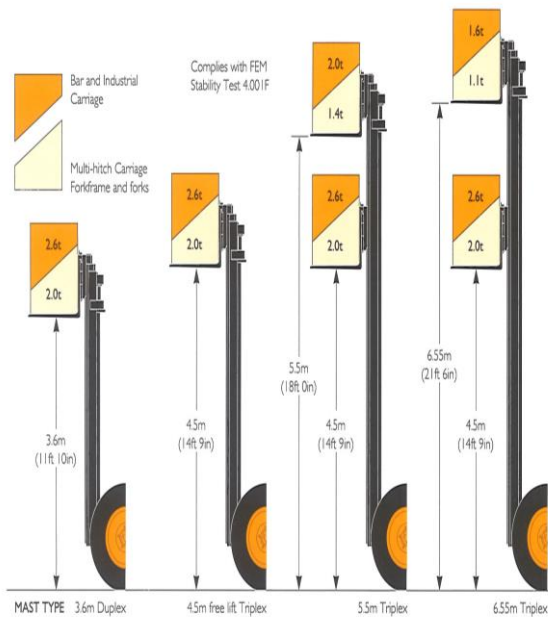
Safety quiet cab or canopy, FOPS standard (falling object protective structure) to FEM Section IV and ANSI B56.6 – 1978. Cab: resiliently mounted, two door access, level floor with mat, safety glass all round with laminated roof window, bolt on roof bars. Fittings include: velour seat, rear view mirror and 2 speed heater/demister. Front/Rear screen wiper and washer, horn. Handbook. Instruments for hourmeter battery charge. Audible/visual warning system for alternator charge, coolant temperature, engine oil pressure, blocked air filter, transmission oil pressure and temperature. Warning lights for: main beam, hazard warning, park brake on, direction indicators. Hydraulic control levers, gear lever, park brake, forward/reverse lever, 4WD disconnect, throttle, brake, and transmission disconnect pedal.

**Canopy:** as above but with no glazing (screen wiper and heater/screen demister not applicable), and rear fenders are standard.

## OPTIONS AND ATTACHMENTS

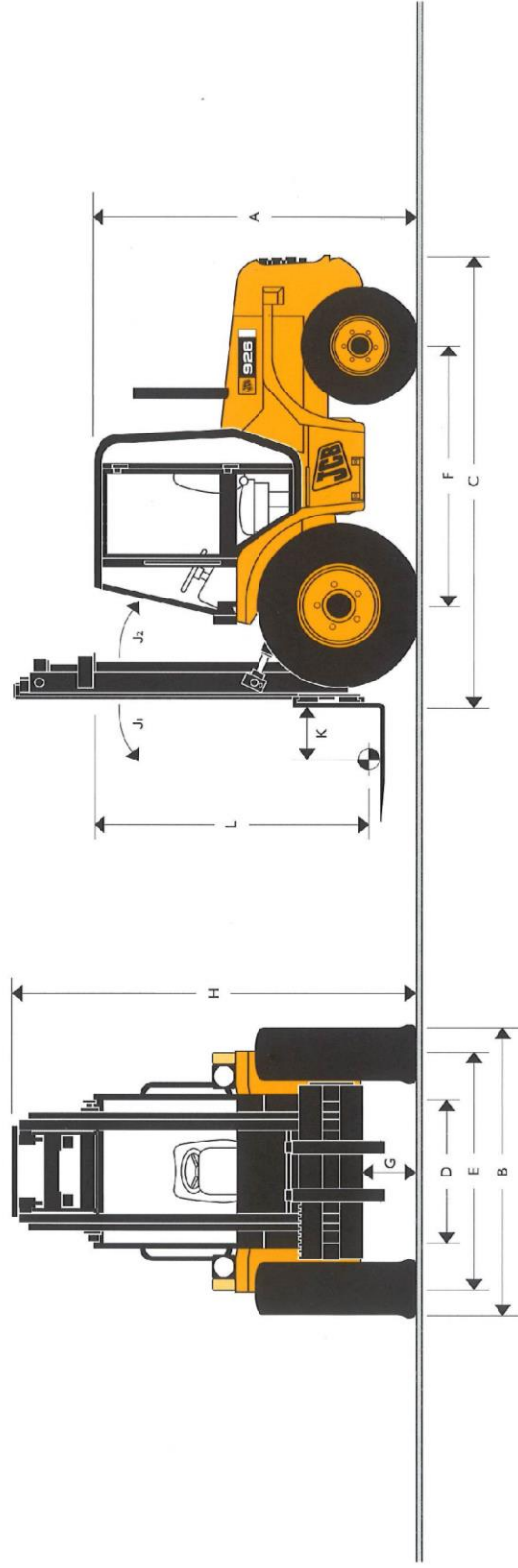
Auxiliary carriage services via hose reel for powered attachments. Wheel and tyres sets. Tinted cab glazing. Suspension seat. Seat belt. Roof screen wash/wipe. Flashing roof beacon. Fire extinguisher. Cab exterior mirrors. Front screen bars. Optional rear fenders. Reversing lights. Propshaft guards. Chaff guard. Air pre-cleaner. Engine fan guard kit. Hose guard kits. Load guard. Contact your local dealer for details of the comprehensive range of attachments.

## 926 CAPABILITIES



MAST TYPE 3.6m Duplex 4.5m free lift Triplex 5.5m Triplex 6.55m Triplex

OPERATING WEIGHTS: 5910 to 6340 kg (13029 to 13977lb) LIFT CAPACITY: 2.6 to 3.0 tonnes (5732 to 6613lb)



### DIMENSIONS

Machine model	926	930	Machine model	926	930
A Overall cab height	2.57 (8-5)	2.57 (8-5)	5.5m mast	2.95 (9-8)	2.95 (9-8)
B Overall width (over tyres)	2.20 (7-2½)	2.20 (7-2½)	6.55m mast	3.32 (10-11)	3.32 (10-11)
C Overall length to front carriage (industrial o-bar)	3.60 (11-0)	3.60 (11-0)	Mast oper height:		
D Inside width of ccb	1.16 (3-9½)	1.16 (3-9½)	3.6m mast	4.78 (15-8)	4.78 (15-8)
E Front tracks	1.80 (5-11)	1.80 (5-11)	4.5m mast	5.41 (17-9)	5.41 (17-9)
F Wheel base	2.13 (7-0)	2.13 (7-0)	6.55m mast	6.61 (21-8)	6.61 (21-8)
G Ground clearance	0.37 (1-2½)	0.37 (1-2½)	J Mast tilt: forwards	7.67 (25-2)	7.67 (25-2)
H Mast closed height	2.95 (9-8)	2.95 (9-8)	J Mast tilt: backwards	18°	18°
3.5m mast	2.95 (9-8)	2.95 (9-8)	K Load centre	10°	10°
4.5m mast	2.41 (7-10)	2.41 (7-10)	L Free lift (4.5m mast only)	1.46 (4-9½)	1.46 (4-9½)

The above data based on the following specification: Standard fork size 1067 x 100 x 50 mm (42 x 4 x 2 in)