

# KUBOTA KX080-4

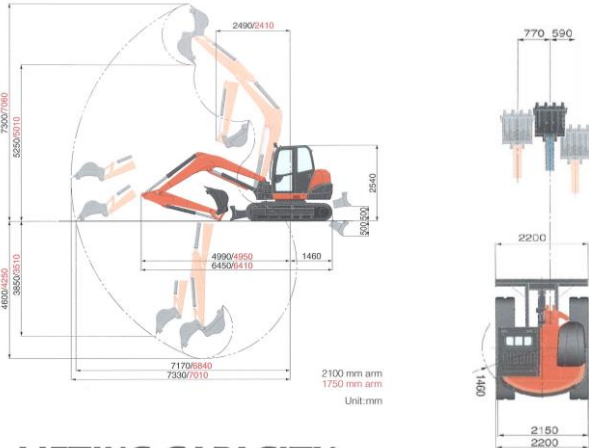


## SPECIFICATIONS

\*with rubber shoe, JPN bucket and 2100 mm arm

Machine weight	kg	8195	
Operating weight	kg	8270	
Bucket capacity, std. SAE/CECE	m <sup>3</sup>	0.25/0.21	
Bucket width	With side teeth	mm	800
	Without side teeth	mm	700
Engine	Model	V3307-CR-TE4	
	Type	Water-cooled, diesel engine E-CDIS (with CRS and DPF)	
	Output ISO9249	PS/rpm	65.0/2000
		kW/rpm	47.8/2000
	Number of cylinders	4	
Bore × Stroke	mm	94 × 120	
Displacement	cc	3331	
Swivelling speed	rpm	9.5	
Rubber shoe width	mm	450	
Tumbler distance	mm	2300	
Dozer size (width × height)	mm	2200 × 500	
Hydraulic pumps	P1,P2	Variable displacement pump	
	Flow rate	ℓ/min	72.0 × 2
	Hydraulic pressure	MPa (kgf/cm <sup>2</sup> )	27.4 (280)
	P3	Gear type	
	Flow rate	ℓ/min	66.6
	Hydraulic pressure	MPa (kgf/cm <sup>2</sup> )	20.6 (210)
Max. digging force	Arm	kN (kgf)	38.1 (3880)
	Bucket	kN (kgf)	65.2 (6650)
Boom swing angle (left/right)	deg	70/60	
Minimum front swivel radius with boom swing (left/right)	2050/2380		
Auxiliary circuit (SP1)	Max. Flow rate	ℓ/min	100
	Max. Hydraulic pressure	MPa (kgf/cm <sup>2</sup> )	20.6 (210)
Auxiliary circuit (SP2)	Max. Flow rate	ℓ/min	66.6
	Max. Hydraulic pressure	MPa (kgf/cm <sup>2</sup> )	20.6 (210)
Hydraulic reservoir	ℓ	75	
Fuel tank capacity	ℓ	115	
Max. travelling speed	Low	km/h	2.7
	High	km/h	4.9
Ground contact pressure	kPa (kgf/cm <sup>2</sup> )	34.6 (0.353)	
Ground clearance	mm	390	

## WORKING RANGE



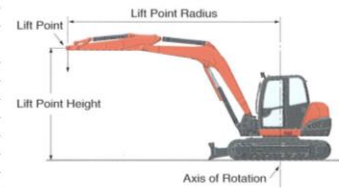
## LIFTING CAPACITY

\*With counter weight

Lift Point Height	kN (ton)											
	Lifting point radius (Min)			Lifting point radius (4m)			Lifting point radius (5m)			Lifting point radius (Max)		
	Over-front		Over-side	Over-front		Over-side	Over-front		Over-side	Over-front		Over-side
5m	1750 Arm			16.7 (1.70)	16.7 (1.70)	15.7 (1.60)						
	2100 Arm			14.2 (1.45)	14.2 (1.45)	14.2 (1.45)						
3m	1750 Arm			20.1 (2.05)	19.6 (2.00)	15.2 (1.55)	17.2 (1.75)	13.7 (1.40)	10.3 (1.05)			
	2100 Arm			18.1 (1.85)	18.1 (1.85)	15.2 (1.55)	16.2 (1.65)	13.7 (1.40)	10.8 (1.10)			
1.5m	1750 Arm			26.0 (2.65)	18.1 (1.85)	13.7 (1.40)	20.1 (2.05)	12.7 (1.30)	9.8 (1.00)	17.1 (1.74)	10.7 (1.09)	8.2 (0.84)
	2100 Arm			24.5 (2.50)	18.1 (1.85)	13.7 (1.40)	19.1 (1.95)	13.2 (1.35)	9.8 (1.00)	15.9 (1.62)	9.3 (0.95)	7.0 (0.71)
1m	1750 Arm			27.4 (2.80)	17.6 (1.80)	13.2 (1.35)	20.6 (2.10)	12.7 (1.30)	9.8 (1.00)			
	2100 Arm			26.5 (2.70)	17.6 (1.80)	13.2 (1.35)	20.1 (2.05)	12.7 (1.30)	9.8 (1.00)			
0m	1750 Arm			28.4 (2.90)	17.2 (1.75)	12.7 (1.30)	21.1 (2.15)	12.3 (1.25)	9.3 (0.95)			
	2100 Arm			28.4 (2.90)	17.2 (1.75)	12.7 (1.30)	21.1 (2.15)	12.3 (1.25)	9.3 (0.95)			
-1m	1750 Arm	37.7 (3.85)	37.7 (3.85)	37.7 (3.85)	27.4 (2.80)	17.2 (1.75)	20.1 (2.05)	12.3 (1.25)	9.3 (0.95)			
	2100 Arm	28.4 (2.90)	28.4 (2.90)	28.4 (2.90)	27.9 (2.85)	16.7 (1.70)	12.3 (1.25)	20.6 (2.10)	12.3 (1.25)	9.3 (0.95)		
-3m	1750 Arm											
	2100 Arm				16.2 (1.65)	16.2 (1.65)	12.7 (1.30)					

\*Light weight version

Lift Point Height	kN (ton)											
	Lifting point radius (Min)			Lifting point radius (4m)			Lifting point radius (5m)			Lifting point radius (Max)		
	Over-front		Over-side	Over-front		Over-side	Over-front		Over-side	Over-front		Over-side
5m	1750 Arm			16.7 (1.70)	16.7 (1.70)	14.7 (1.50)						
	2100 Arm			14.2 (1.45)	14.2 (1.45)	14.2 (1.45)						
3m	1750 Arm			20.1 (2.05)	18.1 (1.85)	13.7 (1.40)	17.2 (1.75)	12.7 (1.30)	9.8 (1.00)			
	2100 Arm			18.1 (1.85)	18.1 (1.85)	14.2 (1.45)	16.2 (1.65)	12.7 (1.30)	9.8 (1.00)			
1.5m	1750 Arm			26.0 (2.65)	16.7 (1.70)	12.3 (1.25)	20.1 (2.05)	11.8 (1.20)	8.8 (0.90)	17.1 (1.74)	9.8 (1.00)	7.4 (0.75)
	2100 Arm			24.5 (2.50)	17.2 (1.75)	12.7 (1.30)	19.1 (1.95)	12.3 (1.25)	9.3 (0.95)	15.9 (1.62)	8.4 (0.86)	6.5 (0.67)
1m	1750 Arm			27.4 (2.80)	16.2 (1.65)	12.3 (1.25)	20.6 (2.10)	11.8 (1.20)	8.8 (0.90)			
	2100 Arm			26.5 (2.70)	16.7 (1.70)	12.3 (1.25)	20.1 (2.05)	11.8 (1.20)	8.8 (0.90)			
0m	1750 Arm			28.4 (2.90)	15.7 (1.60)	11.8 (1.20)	21.1 (2.15)	11.3 (1.15)	8.3 (0.85)			
	2100 Arm			28.4 (2.90)	15.7 (1.60)	11.8 (1.20)	21.1 (2.15)	11.3 (1.15)	8.3 (0.85)			
-1m	1750 Arm	37.7 (3.85)	37.7 (3.85)	35.8 (3.65)	27.4 (2.80)	15.7 (1.60)	20.1 (2.05)	11.3 (1.15)	8.3 (0.85)			
	2100 Arm	28.4 (2.90)	28.4 (2.90)	28.4 (2.90)	27.9 (2.85)	15.2 (1.55)	11.3 (1.15)	20.6 (2.10)	11.3 (1.15)	8.3 (0.85)		
-3m	1750 Arm											
	2100 Arm				16.2 (1.65)	16.2 (1.65)	11.8 (1.20)					



\* Working ranges are with Kubota standard bucket, without quick coupler.

\* Specifications are subject to change without notice for purpose of improvement.

Please note:

\* The lifting capacities are based on ISO 10567 and do not exceed 75% of the static tilt load of the machine or 87% of the hydraulic lifting capacity of the machine.

\* The excavator bucket, hook, sling and other lifting accessories are not included on this table.