

# KUBOTA KX71-3

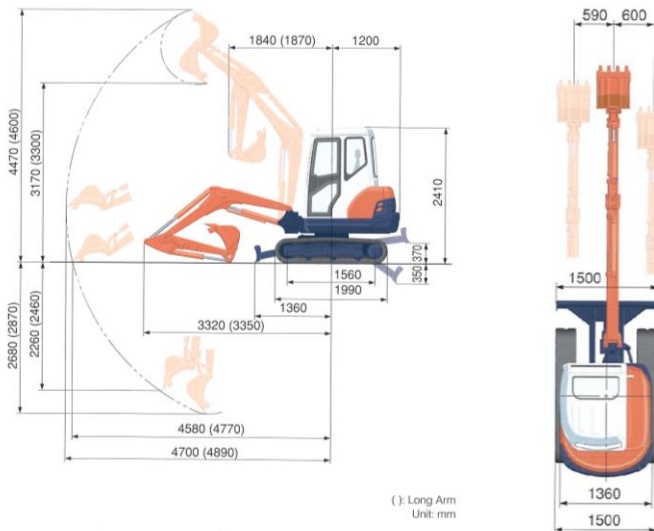


## SPECIFICATIONS

\*Rubber shoe type

Machine weight	Cabin (Std. arm/Long arm)	kg	2790/2800	
	Canopy (Std. arm/Long arm)	kg	2685/2695	
Bucket capacity, std. SAE/CECE		m <sup>3</sup>	0.07	
Bucket width	with side teeth	mm	505	
	without side teeth	mm	480	
Model		VI505-E2-BH-10EU		
Type		Water-cooled, diesel engine		
Engine	Output ISO9249	PS/rpm	27.5/2300	
		kW/rpm	20.5/2300	
	Number of cylinders		4	
	Bore x stroke		mm	78 x 78.4
	Displacement		cc	1498
Overall length (Std. arm/Long arm)		mm	4520/4550	
Overall height	Cabin	mm	2410	
	Canopy	mm	2430	
Swivelling speed		rpm	9.4	
Rubber shoe width		mm	300	
Tumbler distance		mm	1560	
Dozer size (width x height)		mm	1500 x 300	
Hydraulic pumps	P1, P2		Variable displacement pump	
	Flow rate	ℓ/min	32.2+32.2	
	Hydraulic pressure MPa(kgf/cm <sup>2</sup> )		23.5 (240)	
	P3		Gear pump	
	Flow rate	ℓ/min	18.4	
	Hydraulic pressure MPa(kgf/cm <sup>2</sup> )		20.6 (210)	
Max. digging force	Arm (Std./Long)	kN (kgf)	17.5/16.2 (1790/1650)	
	Bucket	kN (kgf)	25.2 (2570)	
Boom swing angle (left/right)		deg	80/60	
Auxiliary circuit	Flow rate	ℓ/min	50.6	
	Hydraulic pressure MPa(kgf/cm <sup>2</sup> )		20.6 (210)	
Hydraulic reservoir		ℓ	34	
Fuel tank capacity		ℓ	45	
Max. travelling speed	Low	km/h	2.7	
	High	km/h	4.6	
Ground contact pressure	Cabin	kPa(kgf/cm <sup>2</sup> )	26.5 (0.270)	
	Canopy	kPa(kgf/cm <sup>2</sup> )	25.0 (0.255)	
Ground clearance		mm	305	

## WORKING RANGE



## LIFTING CAPACITY

KX71-3(CAB) with standard arm:

Lift Point Height	Lifting point radius (2.5m)			Lifting point radius (3.5m)		
	Over-front		Over-side	Over-front		Over-side
	Blade Down	Blade UP		Blade Down	Blade UP	
2.0m	7.20 (0.73)	7.20 (0.73)	7.20 (0.73)	5.89 (0.60)	5.81 (0.59)	5.09 (0.52)
1.5m	8.95 (0.91)	8.95 (0.91)	8.15 (0.83)	6.32 (0.64)	5.72 (0.58)	5.00 (0.51)
1.0m	10.57 (1.08)	9.18 (0.94)	7.90 (0.81)	6.80 (0.69)	5.62 (0.57)	4.91 (0.50)
0m	11.79 (1.20)	8.88 (0.91)	7.57 (0.77)	7.29 (0.74)	5.49 (0.56)	4.78 (0.49)

KX71-3(CAB) with long arm:

Lift Point Height	Lifting point radius (2.5m)			Lifting point radius (3.5m)		
	Over-front		Over-side	Over-front		Over-side
	Blade Down	Blade UP		Blade Down	Blade UP	
2.0m	6.38 (0.65)	6.38 (0.65)	6.38 (0.65)	5.45 (0.56)	5.45 (0.56)	5.10 (0.52)
1.5m	8.10 (0.83)	8.10 (0.83)	8.10 (0.83)	5.94 (0.61)	5.72 (0.58)	5.00 (0.51)
1.0m	9.86 (1.01)	9.20 (0.94)	7.87 (0.80)	6.48 (0.66)	5.60 (0.57)	4.88 (0.50)
0m	11.64 (1.19)	8.79 (0.90)	7.49 (0.76)	7.18 (0.73)	5.43 (0.55)	4.72 (0.48)

Please note:

\* The lifting capacities are based on ISO 10567 and do not exceed 75 % of the static tilt load of the machine or 87 % of the hydraulic lifting capacity of the machine.

\* The excavator bucket, hook, sling and other lifting accessories are not included on this table.

