

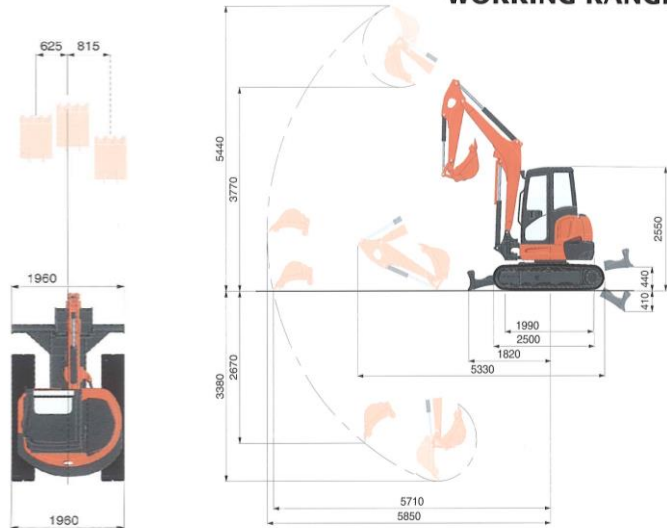
KUBOTA U48.4

SPECIFICATIONS

		*Rubber shoe type/JPN bucket	
Operating weight (cabin/with 115 kg bucket)		kg	4775
Bucket capacity, std. SAE/CECE		m ³	0.14/0.12
Bucket width	With side teeth	mm	600
	Without side teeth	mm	550
Model		V2607-DI	
Type		Water cooled, diesel engine	
Engine	Output (ISO 9249 NET)	kW/rpm	28.8/2200
		PS/rpm	40.5/2200
	Number of cylinders		4
	Bore × Stroke	mm	87 × 110
Displacement		cc	2615
Overall length		mm	5330
Overall height		mm	2550
Swivelling speed		rpm	9.3
Rubber shoe width		mm	400
Tumbler distance		mm	1990
Dozer size (width × height)		mm	1960 × 410
Hydraulic pumps	P1	Variable displacement pump	
	Flow rate	ℓ/min	118.8
	Hydraulic pressure	MPa (kgf/cm ²)	24.5 (250)
Max. digging force	Arm	kN (kgf)	22.0 (2245)
	Bucket	kN (kgf)	33.0 (3360)
Boom swing angle (left/right)		deg	70/55
Auxiliary circuit (SP1)	Max flow rate	ℓ/min	70
	Max hydraulic pressure	MPa (kgf/cm ²)	20.6 (210)
Auxiliary circuit (SP2)	Max flow rate	ℓ/min	37
	Max hydraulic pressure	MPa (kgf/cm ²)	20.6 (210)
Hydraulic reservoir		tank/full	ℓ
Fuel tank capacity		ℓ	68
Max. travelling speed	Low	km/h	2.8
	High	km/h	4.9
Ground contact pressure		kPa (kgf/cm ²)	27.0 (0.275)
Ground clearance		mm	310



WORKING RANGE



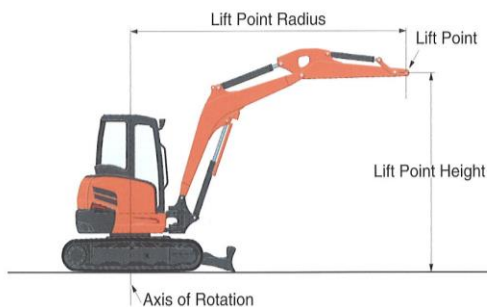
1450 mm arm
Unit: mm

kN (ton)

LIFTING CAPACITY

Cabin, Rubber version

Lift Point Height	Lift point radius (min.)			Lift point radius (1.5m)			Lift point radius (2m)			Lift point radius (3m)			Lift point radius (4m)			Lift point radius (max.)		
	Over-front		Over-side	Over-front		Over-side	Over-front		Over-side	Over-front		Over-side	Over-front		Over-side	Over-front		Over-side
	Blade Down	Blade Up		Blade Down	Blade Up		Blade Down	Blade Up		Blade Down	Blade Up		Blade Down	Blade Up		Blade Down	Blade Up	
3m																		
2m																		
1m																		
0m																		
-1m	20.4 (2.08)	20.4 (2.08)	20.4 (2.08)	21.5 (2.19)	22.9 (2.34)	17.5 (1.78)	26.5 (2.70)	22.9 (2.34)	17.5 (1.78)	16.7 (1.70)	10.8 (1.10)	8.9 (0.91)	11.1 (1.13)	7.0 (0.71)	5.9 (0.60)	9.4 (0.96)	6.2 (0.63)	5.3 (0.54)
-2m	36.8 (3.75)	36.8 (3.75)	36.8 (3.75)	29.3 (2.99)	19.9 (2.03)	18.0 (1.83)	19.9 (2.03)	19.9 (2.03)	18.0 (1.83)	12.1 (1.24)	11.1 (1.13)	9.1 (0.93)						
-3m																		



Please note:

- * The lifting capacities are based on ISO10567 and do not exceed 75% of the static tilt load of the machine or 87% of the hydraulic lifting capacity of the machine.
- * The excavator bucket, hook, sling and other lifting accessories are not included on this table.
- * Standards EN474-1 and EN474-5 require the machine to be fitted with a safety valve on the boom cylinder and an overload warning buzzer for object handling operations.

- * Working ranges are with Kubota standard bucket, without quick coupler.
- * Specifications are subject to change without notice for purpose of improvement.