
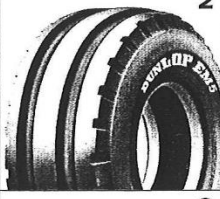




# MANITOU M26.4



## TYRES

### M 26/30.2 & M 26/30.4

Standard on M 26.2/26.4 M 30.2/30.4	FRONT	16./85-24 SGI 8 PR GOODYEAR	 1
Standard on M 26.2	REAR	9.00 - 16 EM5 10PR DUNLOP	 2
Standard on M 30.2	REAR	10.5-18 MPT Titan tube Type 10PR CONTINENTAL	 3
Standard on M 26/30.4	REAR	10.5-18 MPT 8PR 122 G CONTINENTAL	 4

Tyres	Tyres width mm	Overall width mm
1	455	2105
2	275	1795
3	260	1780
4	275	2030

## M 26.2/M 30.2 : 2 Wheel drive M 26.4/M 30.4 : 4 Wheel drive



### Load capacity

M 26.2 / 26.4 ..... 2600kg  
M 30.2 / 30.4 ..... 3000kg  
at 500 load centre



### Lift height (sliding mast) :.....5.40 m

Lifting speed unladen/laden (m/s)  
M 26.2 / M 26.4.....0.60/0.57  
M 30.2/M 30.4 .....0.60/0.57  
Lowering speed unladen/laden (m/s)  
M 26.2 / M 26.4.....0.48/0.50  
M 30.2/ M 30.4 .....0.48/0.50



### Tyres

Front.....16.5/85-24 SGI 8PR GOOD YEAR  
Rear :  
M 26.2 .....9.00-16 EM5 10 PR DUNLOP  
M 30.2 . . . 10.5 - 18 MTP 10 PR 126 G CONTINENTAL  
M 26.4 ..... 10.58 MTP 8PR 122G CONTINENTAL  
M 30.4 ..... 10.5-8 MTP 8PR 122G CONTINENTAL



### Forks (mm)

Length.....1067  
Width x thickness.....100x45



### Multidiscs oil-immersed hydraulically operated brakes



### Perkins engine

Type .....1004.4 atmo  
Capacity ..... 4 cyl. 3990 cm3  
Rated speed.....2300 tr/mn  
Power (DIN 6270 B) .....59.3 Kw (80.5 HP)  
(DIN 70020).....60.5 Kw (82 HP)  
Maximum torque.....289 Nm at 1450 tr/mn  
Direct injection  
Water cooling



### Transmission

.....Torque convertor  
Electro-hydraulic reversing shift  
4 speeds forward and reverse  
Maximum travel speed .....25 km/h  
Mechanical differential lock .....M 26.2/M 30.2  
Electro-hydraulic 4 WD disconnect ....M 26.4/M 30.4



### Hydraulics

Main pump (lifting/tilting) : gear type  
M 26.2 / M 26.4 .....185 bar/92 l/mn  
M 30.2 / M 30.4 .....185 bar/92 l/mn  
Hydraulic pump .....120 bar/92 l/mn  
whith load sensing, priority flow divider for steering



### Capacities:

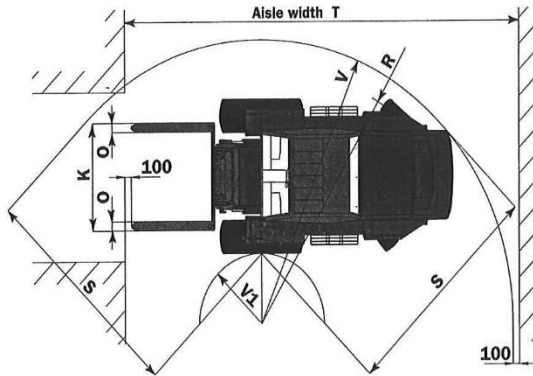
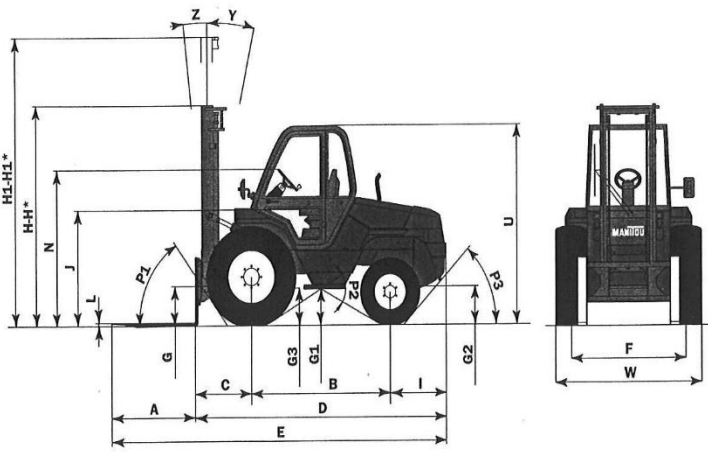
Cooling system.....19 l  
Engine oil .....7.6 l  
Hydraulic oil .....64 l  
Transmission oil .....15.5 l  
Fuel tank .....85 l



### Weight (with forks)

M 26.2 .....5340 kg  
M 30.2 .....5640 kg  
M 26.4 .....5420 kg  
M 30.4 .....5720 kg

This publication in no way constitutes an offer and the company reserves the right to alter specification without prior notice. The MANITOU models presented in this brochure can be supplied complete with optional equipment attachments



	Roller mast		Sliding mast			
	M 26.2 M 30.2	M 26.4 M 30.4	M 26.2	M 30.2	M 26.4	M 30.4
A	1067	1067	1067	1067	1067	1067
B	2000	2080	2000	2000	2080	2080
C	810	810	825	830	825	830
D	3635	3635	3650	3655	3650	3655
E	4835	4835	4850	4855	4850	4855
F	1650	1650	1650	1650	1650	1650
F1	1520	1760	1520	1520	1760	1760
G	495	495	455	455	455	455
G1	465	395	465	465	395	395
G2	420	290	420	420	290	290
G3	480	480	480	480	480	480
H	3055	3055	2930	2930	2930	2930
H1	6725	6725	6530	6530	6530	6530
I	825	745	745	745	745	745
J	1480	1480	1480	1480	1480	1480
K	1470	1470	1320	1320	1320	1320
L	45	45	45	45	45	45
N	1960	1960	1960	1960	1960	1960
O	100	100	100	100	100	100
P1	54°	54°	54°	54°	54°	54°
P2	58°	57,5°	58°	58°	57,5°	57,5°
P3	46°	56,5°	46°	46°	56,5°	56,5°
R	3730	3975	3730	3730	3975	3975
S	3215	3115	3215	3215	3115	3115
T	6140	6305	6320	6325	6320	6325
U	2540	2540	2540	2540	2540	2540
V	3930	4095	3930	3930	4095	4095
V1	1015	1390	1015	1015	1390	1390
W	2105	2105	2105	2105	2105	2105
Y	12°	12°	12°	12°	12°	12°
Z	6°	6°	6°	6°	6°	6°

H - H1 Standard = sliding mast

mm

### Roller mast M 26/30

MAST		TYPE	LIFTING HEIGHT ON FORKS	OVERALL HEIGHT MAST LOWERED	FREE LIFT ON FORKS (mm)	OVERALL HEIGHT MAST EXTENDED (mm)	HEIGHT AT MAX. CAPACITY (mm)		CAPACITY AT MAX. HEIGHT (kg)		MAST TILTING ANGLE Front/Rear
							with side shift	without side shift	with side shift	without side shift	
TRIPLEX TOTAL VISIBILITY	5.50 m	M 26.2/M 26.4	5545	3055	-	6725	4000	4000	1600	1800	6°/12°
		M 30.2/M 30.4	5545				4000	4000	1800	2000	
TRIPLEX FREE LIFT	5.50 m	M 26.2/M 26.4	5540	2975	1995	6520	4000	4000	1600	1800	6°/12°
		M 30.2/M 30.4	5540				4000	4000	1800	2000	

### Sliding mast M 26/30

TRIPLEX TOTAL VISIBILITY	5.40 m	M 26.2/M 26.4	5440	2930	-	6530	3600	3600	1450	1600	6°/12°
		M 30.2/M 30.4	5445				3600	3600	1600	1750	