

MANITOU MT 1030S



MARSH PLANT®

NEW LANE, HAVANT, HAMPSHIRE, PO9 2LZ

Telephone 023 9248 2323

www.marshplant.com

Millbrook Road, Southampton
Hampshire, SO15 0LB
Telephone 023 8052 2600
southampton@marshplant.com

Drakes Drive, longCrendon
Aylesbury, HP18 9BA
Telephone 01844 204000
longcrendon@marshplant.com


Cabot Lane, Creekmoor, Poole
Dorset BH17 7BX
Telephone 01202 642820
poole@marshplant.com


7b Watercombe Park
Gazelle Road, Yeovil
Somerset, BA20 2HL
Telephone 01935 415970
yeovil@marshplant.com


Wallingford Road, Uxbridge
Middlesex UB8 2SS
Telephone 01844 204000
longcrendon@marshplant.com


MT 1030 S


 **Lifting capacity**3000 kg
at 500 mm from forks heels.
Tipping load at maximum reach.....1160 kg
Tear at force with toothed
digging bucket (Iso 8313 - 1986).....5330 daN


 **Lifting height**9.98 m
Times : Unladen/loaded (in s)
Lifting.....6.7/9
Lowering.....5.2/5.4
Simultaneous extension 1st and 2nd booms.....13.8/14.2
Simultaneous retraction 1st and 2nd booms8.6/7.3
Time unladen (in s)
Crowding.....3
Dumping.....2.5


 **Tyres**
15.5/80 - 24 12 PR


 **Forks (mm)**
Length1200
Width x thickness125 X 45
Maximum distance between forks.....1040
Carriage rotation126°


 **Hydraulically operated brakes
with oil-immersed muldidiscs on both axles**

 **PERKINS Engine**
Type1104C-44
Capacity4 cyl. 4400 cm³
Power (ISO 14396) :82 HP/61.5 kw
Maximum torque :302 Nm at 1400 rpm
Direct injection
Water cooling

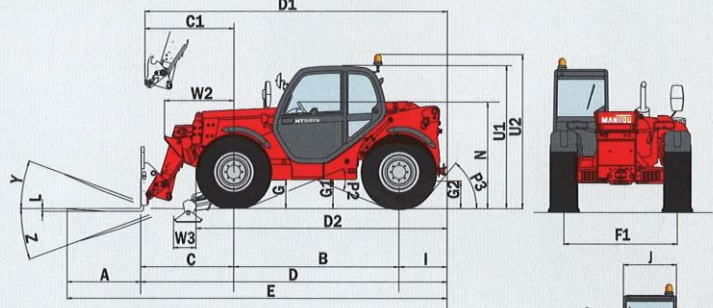
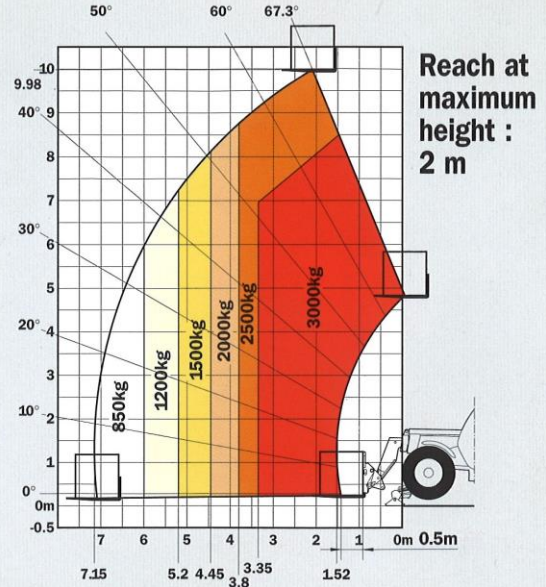
 **Transmission**Torque Converter
Electro - Hydraulic reversing shift
4 gears forward and reverse
Maximum travel speed.....25 km/h

 **Hydraulics**
Lifting/tilting pump
gear type :250 bars /105 l/mn
Flow divider with priority to steering and brakes.

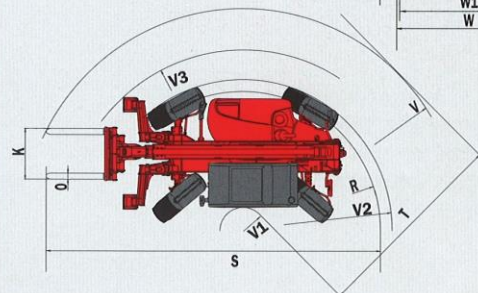
 **Capacities**
Cooling system.....24.5 l.
Engine oil10.5 l.
Hydraulic oil125 l.
Transmission oil.....15.5 l.
Fuel tank.....120 l.

 **Weight unladen (with forks)**7470 kg
Overall width.....2.26 m
Overall height2.30 m
Turning radius (outside wheels).....3.75 m
Length up to carriage.....4.98 m
Ground clearance.....0.44 m
Drawbar pull7350 daN

Under Norme
EN 1459
annexe B



	mm
A	1200
B	2690
C	1513
C1	1450
D	4988
D1	4935
D2	4070
E	6198
F	1846
G	460
G1	440
G2	445
G3	220
I	795
J	865
K	1040
L	45
N	1690
O	125
P2	44°
P3	53°
R	3545
S	7808
T	3670
U1	2300
U2	2550
V	4950
V1	1280
V2	3750
V3	4200
W	2261
W1	2210
W2	1132
W3	340
Y	12°
Z	114°



Standard :

- Beacon
- Floating forks carriage
- Attachment hydraulic line
- Reverse alarm and lights

Options :

- Wide range of attachments (buckets, jibs, made to measure attachments)
- Air conditioning
- Work lights
- ...



This publication in no way constitutes an offer and the company reserves the right to alter specification without prior notice. The MANTOU models presented in this brochure can be supplied complete with optional equipment attachments.

