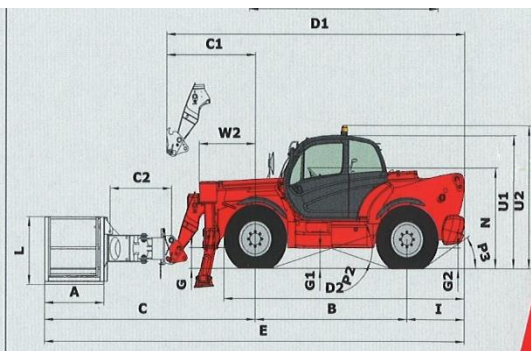
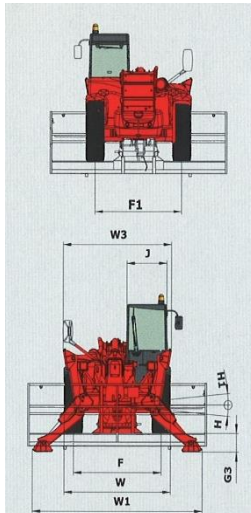
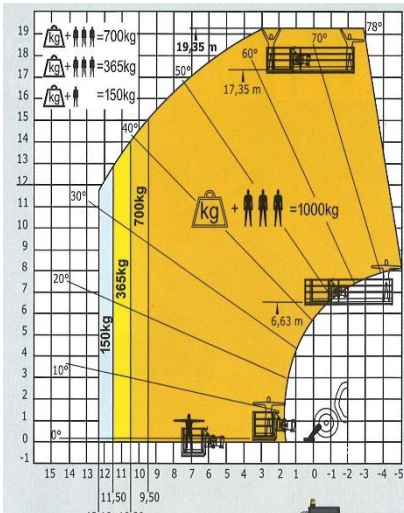
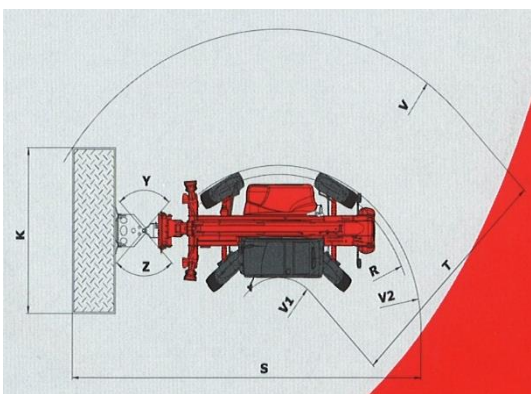


MANITOU MT 1840A



A	1200
B	3070
C	4389
C1	1929
C2	927
D1	6159
D2	4886
E	8619
F	1960
F1	1960
G	437
G1	420
G2	433
G3	302
H	9°
H1	9°
I	1160
J	892
K	2250-4000
L	1255
N	1908
P2	37°
P3	34°
R	3779
S	9925
T	6103
U1	2505
U2	2693
V	7388
V1	1285
V2	3998
W	2397
W1	3793
W2	1134
W3	2422
Y	90°
Z	90°



MT 1840 A PRIVILEGE

Lifting capacity 4000 kg at 500 mm from forks heels.
Capacity with standard platform 1000 kg
 Tipping load at maximum reach:
 with stabilizers 950 kg
 Tear out force with bucket to ISO 8313 8000 daN

Working height 19.30 m
Lifting height 17.50 m
Times : unladen / loaded (in s)
 Lifting 12.1/12.2
 Lowering 14.5/14.3
 Extension boom 27.5/33
 Retraction boom 26.4/25.7
 Crowd 4.3
 Dump 4

Tyres 440/80-24

Forks (mm)
 Length 1200
 Width x thickness 125 X 50
 Maximum distance between forks 1040
 Carriage rotation 126°

Standard platform (mm)
 Capacity 1000 kg
 Length 2.25 m - 4 m
 Width x height 1.20 m X 1.25 m

Multidisc brakes - hydraulically assisted on both axes

PERKINS Engine
 Type 1104C.44 T
 Capacity 4 cylindres - 4400 cm³
 Power:
 (ISO/TR 14396) ... 101 HP/74.5 kW at 2350 rpm
 Maximum torque 413 Nm at 1350 rpm
 Direct Injection
 Water Cooling

Transmission Torque convertor
 Electro-hydraulic reversing shift
 4 speeds forward and reverse
 Maximum travel speed (km/h) 25

Hydraulics
 Pump gear type
 Pressure/capacity 270 bars/170 l/mn

Capacities
 Cooling system 20 l.
 Engine oil 10.9 l.
 Hydraulic oil 135 l.
 Transmission oil 23 l.
 Fuel tank 140 l.

Weight unladen 11950 kg
Overall width 2.40 m
Overall height 2.50 m
Turning radius (outside wheels) 3.99 m
Overall Length 6.27 m
Ground clearance 0.44 m
Drawbar pull 10300 daN

Options of platform	
Fixed 2 m	365 kg including 3 people
Adjustable 2 m	
Adjustable 2.40 m	
Adjustable and extendable 2.45/5 m	
Adjustable and extendable 2.45/6 m	1000 kg including 3 people
Adjustable and extendable 2.25/4 m	
Roofer Platform	