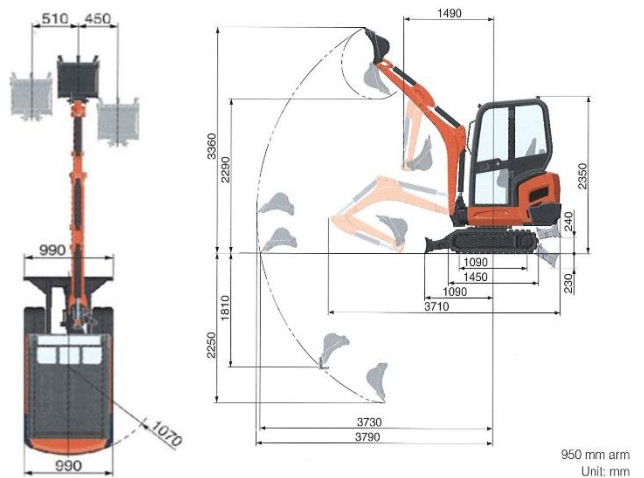


MARSH PLANT HIRE LTD

KUBOTA KX015-4

SPECIFICATIONS

			*With rubber shoe type
Model			KX015-4
Machine weight	Cabin / Canopy	kg	1470 / 1420
Operating weight	Cabin / Canopy	kg	1545 / 1495
Bucket capacity, std. SAE/CECE			m ³ 0.035
Bucket width	With side teeth	mm	422
	Without side teeth	mm	402
Engine	Model		D782-BH
	Type		Water-cooled, diesel engine E-TVCS
	Output ISO9249	PS/rpm	13 / 2300
		kW/rpm	9.6 / 2300
	Number of cylinders		3
	Bore x Stroke		mm 67 x 73.6
Displacement		cc 778	
Overall length		mm	3710
Overall height	Cabin	mm	2350
	Canopy	mm	2330
Swivelling speed		rpm	9.1
Rubber shoe width		mm	230
Tumbler distance		mm	1090
Dozer size (width x height)		mm	990 x 230
Hydraulic pumps	P1, P2		Variable displacement pump
	Flow rate	ℓ/min	16.6
	Hydraulic pressure	MPa (kgf/cm ²)	20.6 (210)
	P3		Gear Type
	Flow rate	ℓ/min	10.4
Max. digging force	Hydraulic pressure		MPa (kgf/cm ²) 20.1 (205)
	Arm	kN (kgf)	7.3 (740)
	Bucket	kN (kgf)	12.7 (1300)
Boom swing angle (left/right)		deg	75 / 60
Auxiliary circuit	Flow rate	ℓ/min	27
	Hydraulic pressure	MPa (kgf/cm ²)	20.6 (210)
Hydraulic reservoir		ℓ	28
Fuel tank capacity		ℓ	21
Max. travelling speed	Low	km/h	2.1
	High	km/h	-
Ground contact pressure	Cabin	kPa (kgf/cm ²)	25.5 (0.26)
	Canopy	kPa (kgf/cm ²)	24.5 (0.25)
Ground clearance		mm	160

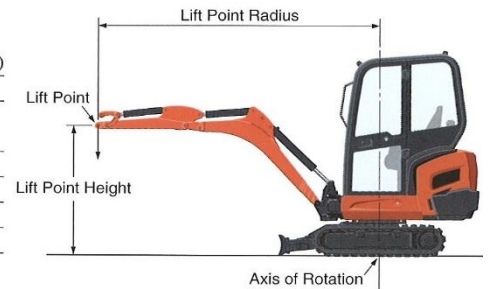


*Machine weight: with 35kg standard bucket and fully served
 *Operating weight: with 75kg operator, 35kg standard bucket and fully served

LIFTING CAPACITY

Cabin, Rubber version

Lift Point Height	kN (ton)					
	Lifting point radius (2m)			Lifting point radius (max.)		
	Over-front		Over-side	Over-front		Over-side
	Blade Down	Blade UP		Blade Down	Blade UP	
1.5m	3.0 (0.30)	3.4 (0.35)	2.5 (0.26)	-	-	-
1.0m	4.5 (0.46)	3.5 (0.36)	2.3 (0.24)	-	-	-
0.5m	5.4 (0.55)	3.3 (0.34)	2.1 (0.22)	2.6 (0.27)	1.6 (0.17)	1.1 (0.11)
0m	5.3 (0.54)	3.2 (0.32)	2.0 (0.21)	-	-	-



*The lifting capacities are based on ISO 10567 and do not exceed 75% of the static tilt load of the machine or 87% of the hydraulic lifting capacities of the machine.

**The excavator bucket, hook, sling and other lifting accessories are not included on this table.

* Working ranges are with Kubota standard bucket, without quick coupler.
 * Specifications are subject to change without notice for purpose of improvement.

★ All images shown are for brochure purposes only.
 When operating the excavator, wear clothing and equipment in accordance to local legal and safety regulations.