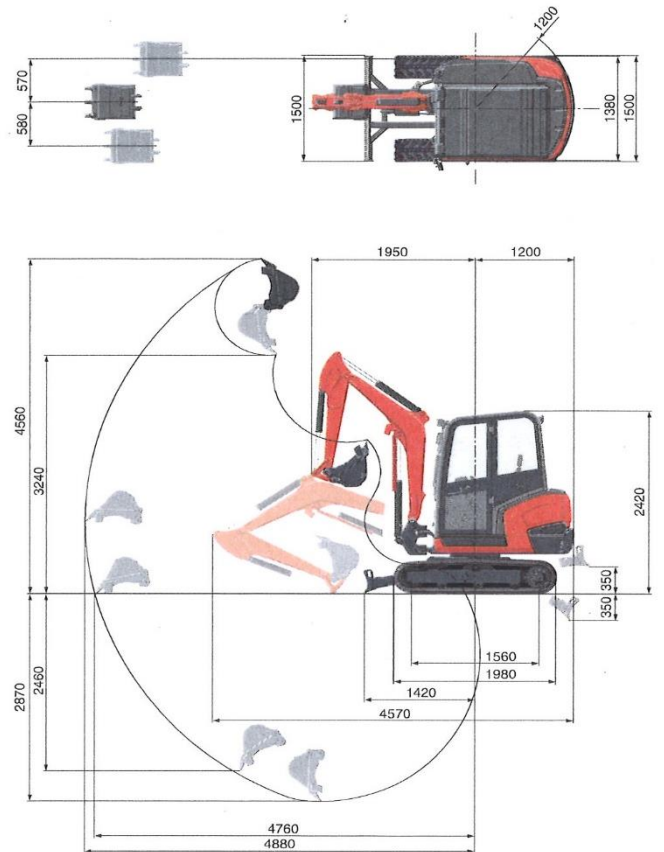


KUBOTA KX030-4

SPECIFICATIONS

Model		KX030-4		
Machine weight* ¹	Cabin / Canopy	kg	2790 / 2720	
Operating weight* ²	Cabin / Canopy	kg	2865 / 2795	
Engine	Model		V1505-E4	
	Type		Water-cooled, diesel engine E-TVCS (Economic, ecological type)	
	Output ISO9249 NET	PS/rpm	24 / 2250	
		kW/rpm	17.7 / 2250	
	Number of cylinders		4	
	Bore x Stroke		mm	78 x 78.4
Displacement		cc	1498	
Dimensions	Overall width		mm	1500
	Overall height (Cabin / Canopy)		mm	2420 / 2420
	Overall length		mm	4570
	Ground clearance		mm	300
	Dozer size (width x height)		mm	1500 x 300
	Rubber shoe width		mm	300
	Minimum front swivel radius with boom swing (left / right)		mm	1950 / 1560
	Boom swing angle (left / right)		deg	77 / 57
Hydraulic System	P1, P2	P1, P2		Variable displacement pump
		Flow rate	ℓ/min	31.5 x 2
		Hydraulic pressure MPa (kgf/cm ²)		23.5 (240)
	P3	P3		Gear pump
		Flow rate	ℓ/min	18.0
	Auxiliary (AUX1)	Max. flow rate	ℓ/min	49.5
		Max. hydraulic pressure MPa (kgf/cm ²)		23.5 (240)
	Auxiliary (AUX2)	Max. flow rate	ℓ/min	18.0
		Max. hydraulic pressure MPa (kgf/cm ²)		19.6 (200)
	Max. digging force, arm		kN (kgf)	16.2 (1650)
Max. digging force, bucket		kN (kgf)	25.4 (2590)	
Hydraulic reservoir (tank / full)		ℓ	34 / 51	
Max. travelling Speed	Low	km/h	2.9	
	High	km/h	4.5	
Ground contact pressure	Cabin	kPa (kgf/cm ²)	26.6 (0.27)	
	Canopy	kPa (kgf/cm ²)	25.9 (0.26)	
Swivelling speed		rpm	9.5	
Fuel tank capacity		ℓ	48	

WORKING RANGE



1300 mm arm
Unit: mm

*¹ With 65kg standard bucket, 1300mm arm, full tanks, rubber shoe.

*² With 75kg operator, 1300mm arm, 65kg standard bucket, full tanks, rubber shoe.

LIFTING CAPACITY

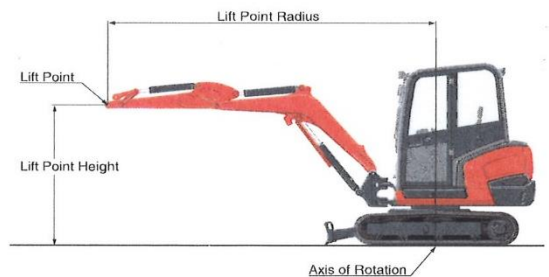
Cabin, rubber version

kN (ton)

Lift Point Height	Lifting point radius (2.5m)			Lifting point radius (max.)		
	Over-front		Over-side	Over-front		Over-side
	Blade Down	Blade Up		Blade Down	Blade Up	
1.5m	7.6 (0.78)	7.6 (0.78)	6.5 (0.66)	-	-	-
1.0m	9.0 (0.92)	7.4 (0.75)	6.2 (0.63)	4.9 (0.50)	3.5 (0.36)	3.0 (0.31)
0.5m	9.9 (1.01)	7.2 (0.73)	6.0 (0.61)	-	-	-
0m	10.2 (1.04)	7.0 (0.72)	5.9 (0.60)	-	-	-

*The lifting capacities are based on ISO 10567 and do not exceed 75% of the static tilt load of the machine or 87% of the hydraulic lifting capacities of the machine.

**The excavator bucket, hook, sling and other lifting accessories are not included on this table.



* Working ranges are with Kubota standard bucket, without quick coupler.
* Specifications are subject to change without notice for purpose of improvement.