

MARSH PLANT HIRE LTD

KUBOTA KY080-3

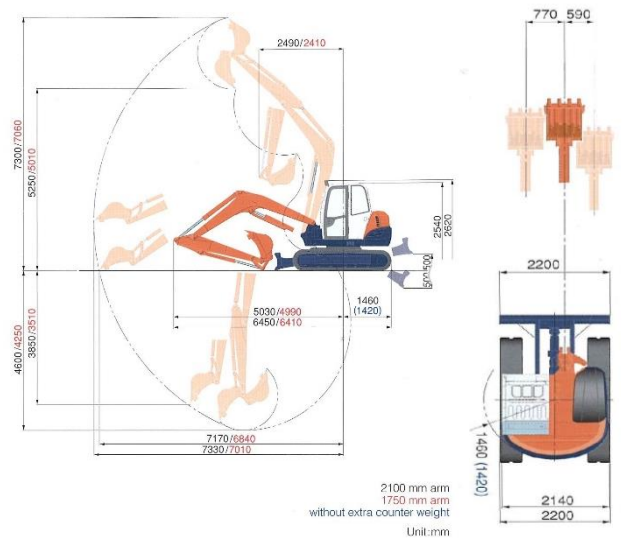
SPECIFICATIONS

*with rubber shoe, JPN bucket and 2100 mm arm

Machine weight (w/o extra counter weight)		kg	8195 (7960)
Bucket capacity, std. SAE/CECE		m ³	0.25/0.21
Bucket width	With side teeth	mm	800
	Without side teeth	mm	700
Model		V3800DI	
Type		Water-cooled, diesel engine E-TVCS (Economical, ecological type)	
Engine	Output ISO9249	PS/rpm	65.0/2000
		kW/rpm	47.8/2000
	Number of cylinders		4
	Bore × Stroke	mm	100 × 120
	Displacement	cc	3769
Overall length		mm	6410
Overall height		mm	2540
Overall width		mm	2200
Swivelling speed		rpm	9.5
Rubber shoe width		mm	450
Tumbler distance		mm	2300
Dozer size (width × height)		mm	2200 × 500
Hydraulic pumps	P1, P2		Variable displacement pump
	Flow rate	ℓ/min	72.0 × 2
	Hydraulic pressure	MPa (kgf/cm ²)	27.5 (280)
	P3		Gear type
	Flow rate	ℓ/min	66.6
	Hydraulic pressure	MPa (kgf/cm ²)	20.6 (210)
Max. digging force	Arm	kN (kgf)	38.1 (3880)
	Bucket	kN (kgf)	65.2 (6650)
Boom swing angle (left/right)		deg	70/60
Auxiliary circuit	Flow rate	ℓ/min	100
	Hydraulic pressure	MPa (kgf/cm ²)	20.6 (210)
Hydraulic reservoir		ℓ	75
Fuel tank capacity		ℓ	115
Max. travelling speed	Low	km/h	2.8
	High	km/h	5.1
Ground contact pressure		kPa (kgf/cm ²)	34.6 (0.353)
Ground clearance		mm	390



WORKING RANGE



LIFTING CAPACITY

Lift Point Height	kN (ton)						
	Lifting point radius (3m)			Lifting point radius (4m)			
	Over-front		Over-side	Over-front		Over-side	
	Blade Down	Blade UP		Blade Down	Blade UP		
3m	1750 mm	25.0 (2.55)	25.0 (2.55)	25.0 (2.55)	19.6 (2.00)	19.6 (2.00)	17.2 (1.75)
	2100 mm	21.1 (2.15)	21.1 (2.15)	21.1 (2.15)	17.7 (1.80)	17.7 (1.80)	17.2 (1.75)
2m	1750 mm	36.3 (3.70)	33.3 (3.40)	24.0 (2.45)	23.5 (2.40)	21.1 (2.15)	16.2 (1.65)
	2100 mm	32.4 (3.30)	32.4 (3.30)	25.0 (2.55)	22.1 (2.25)	21.6 (2.20)	16.2 (1.65)
1m	1750 mm	30.9 (3.15)	30.9 (3.15)	22.1 (2.25)	27.0 (2.75)	20.1 (2.05)	15.2 (1.55)
	2100 mm	40.2 (4.10)	31.4 (3.20)	22.6 (2.30)	26.0 (2.65)	20.1 (2.05)	15.2 (1.55)
0m	1750 mm	41.2 (4.20)	30.4 (3.10)	21.6 (2.20)	27.9 (2.85)	19.6 (2.00)	14.2 (1.45)
	2100 mm	41.7 (4.25)	30.4 (3.10)	19.6 (2.00)	27.9 (2.85)	19.6 (2.00)	14.2 (1.45)

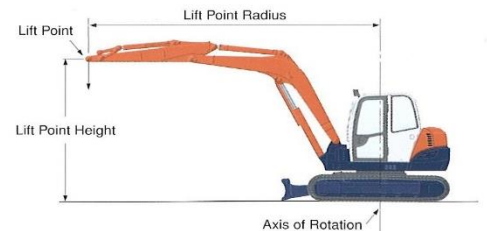
without extra counter weight

Lift Point Height	kN (ton)						
	Lifting point radius (3m)			Lifting point radius (4m)			
	Over-front		Over-side	Over-front		Over-side	
	Blade Down	Blade UP		Blade Down	Blade UP		
3m	1750 mm	25.0 (2.55)	25.0 (2.55)	25.0 (2.55)	19.6 (2.00)	19.6 (2.00)	15.7 (1.60)
	2100 mm	21.1 (2.15)	21.1 (2.15)	21.1 (2.15)	17.7 (1.80)	17.7 (1.80)	16.2 (1.65)
2m	1750 mm	36.3 (3.70)	30.9 (3.15)	22.1 (2.25)	23.5 (2.40)	19.6 (2.00)	14.7 (1.50)
	2100 mm	32.4 (3.30)	31.9 (3.25)	23.0 (2.35)	22.1 (2.25)	19.6 (2.00)	14.7 (1.50)
1m	1750 mm	30.9 (3.15)	28.9 (2.95)	20.6 (2.10)	27.0 (2.75)	18.6 (1.90)	13.7 (1.35)
	2100 mm	40.2 (4.10)	28.9 (2.95)	20.6 (2.10)	26.0 (2.65)	18.6 (1.90)	13.7 (1.35)
0m	1750 mm	41.2 (4.20)	27.9 (2.85)	20.1 (2.05)	27.9 (2.85)	17.7 (1.80)	13.2 (1.35)
	2100 mm	41.7 (4.25)	27.9 (2.85)	19.6 (2.00)	27.9 (2.85)	17.7 (1.80)	13.2 (1.35)

Please note:

* The lifting capacities are based on ISO 10567 and do not exceed 75% of the static tilt load of the machine or 87% of the hydraulic lifting capacity of the machine.

* The excavator bucket, hook, sling and other lifting accessories are not included on this table.



* Working ranges are with Kubota standard bucket, without quick coupler.

* Specifications are subject to change without notice for purpose of improvement.